

nonstick 12

- 1. Nonstick
- 2. igh 0.8 / 1.0
- 3.
- 4.
- 5. Tsingbuy 12

Nonstick







Teflon coating

Silicone coating



Material:

Aluminum alloy

Aluminized steel

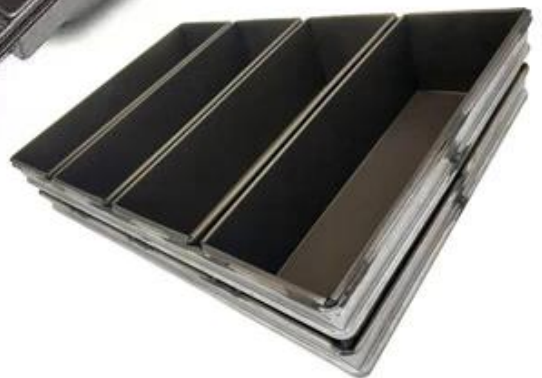


More Customized Strap Loaf Pans from Tsingbuy

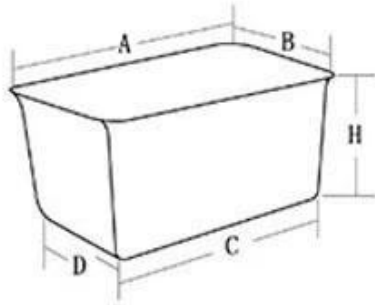




Customized shape
Customized size
Rack matched

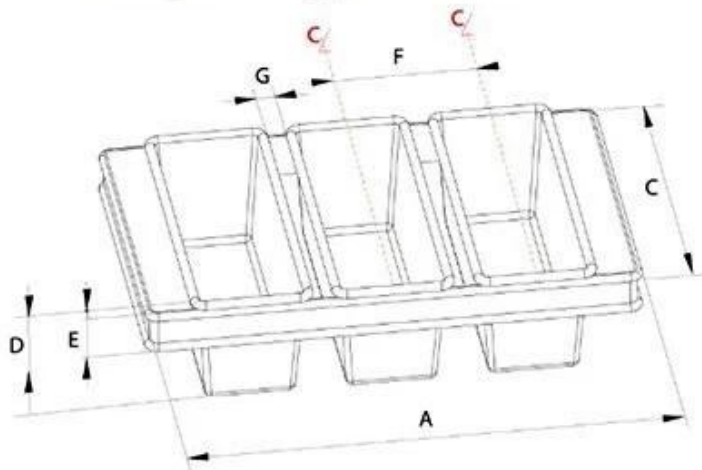


Customized Single Loaf Pan



- A. Top length of the item
- B. Top width of the item
- C. Bottom length of the item
- D. Bottom width of the item
- H. Height

Customized Strapped Loaf Pan Sets



- A. Overall Length
- C. Overall Width
- D. Depth
- E. Frame Height
- F. Center-to-center
- G. Pan Distance



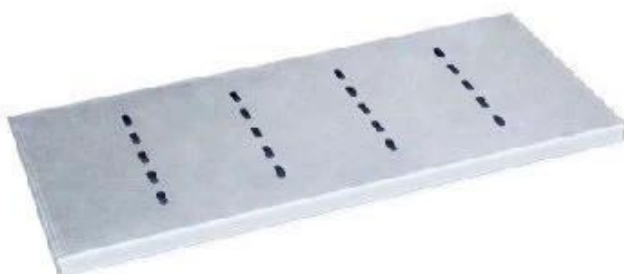
Flat handle



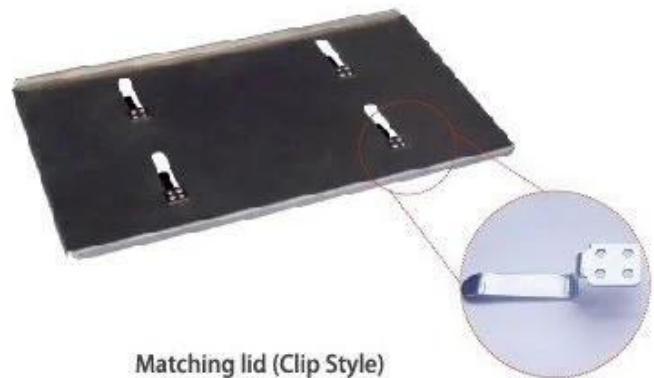
Frame handle



no handle



Matching lid (Drop Style)



Matching lid (Clip Style)





Loaf Pan

Tsingbuy Industry Limited



□□□□□□□□

 Zoe Lee	TSINGBUY INDUSTRY LIMITED FACTORY PLANET OEM & ODM - Bakeware and Customization	
 Tel	+86 186 1186 6087	+86 0755-85234769
 Email	marketing@tsingbuy.com	
 Skype	+86 186 1186 6087	
 Whatsapp	+86 186 1186 6087	
 Web	www.chinabakeware.com	
 ADD	2 Floor B1 Building, No 22 Dafu Industry park, Guanlan, Longhua District, Shenzhen, China 518110	