

450/600/750/900/1000/1200g Pullman Loa Pan Toast Brad Tins

pullman
Tins

1. PTFE
2. a dopts 1.0
3. e xcellent
4. q
5. Tsingbuy

Pullman
Tins

Nonstick Aluminum Pullman Loaf Pan



Black Nonstick Loaf Pan with Smooth Surface



Product Specifications



weight	Length	width	height	function
450g	21.0cm	12.0cm	11.0cm	bakery
600g	32.0cm	10.5cm	10.8cm	bakery
750g	33.0cm	11.2cm	11.6cm	bakery
900g	34.0cm	11.8cm	12.0cm	bakery
1000g	34.0cm	13.5cm	12.0cm	bakery
1200g	38.0cm	13.3cm	12.5cm	bakery



High Quality

Aluminum Alloy

Food Grade

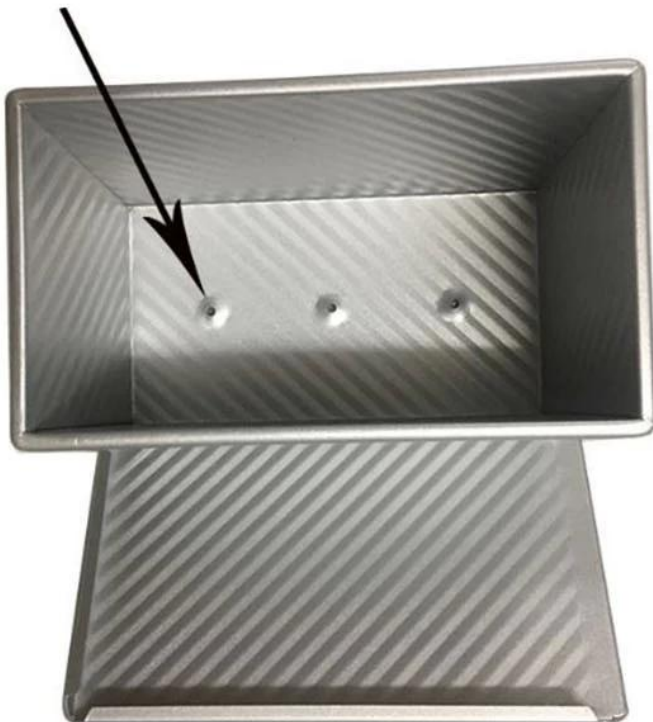
Nonstick Coating

Exquisite Workmanship



rolled edge
design

Holes for aire flow









Customized Single Loaf Pan

Material: Aluminum, Stainless Steel, Carbon Steel, Tinplate

Capacity: 1L, 2L, 3L, 4L, 5L, 6L, 7L, 8L, 9L, 10L, 11L, 12L, 13L, 14L, 15L, 16L, 17L, 18L, 19L, 20L

Color: Silver, Black, Gold, Bronze, Copper, Blue, Green, Red, Purple, Pink, Yellow, Orange, Grey, White, Black, Brown, Tan, Cream, Ivory, Silver, Gold, Bronze, Copper, Blue, Green, Red, Purple, Pink, Yellow, Orange, Grey, White

Surface Treatment: Polished, Anodized, Powder Coated, Electroplated, Painted, Lacquered, Oiled, Wax Coated, Embossed, Debossed, Laser Cut, Stamped, Bent, Rolled, Drawn, Spun, Extruded, Cast, Forged, Fabricated

Dimensions: Customized, Standard, Non-Standard

Application: Baking, Cooking, Storing, Serving, Display, Protection, Decoration, Industrial, Commercial, Residential, Professional, Institutional, Government, Military, Maritime, Aerospace, Automotive, Agriculture, Forestry, Fishing, Hunting, Gardening, Landscaping, Construction, Infrastructure, Transportation, Communication, Energy, Environmental, Healthcare, Education, Entertainment, Sports, Recreation, Leisure, Travel, Tourism, Hospitality, Retail, Wholesale, Distribution, Logistics, Shipping, Storage, Inventory, Warehouse, Distribution Center, Retail Store, Restaurant, Cafe, Bar, Hotel, Restaurant, Cafe, Bar, Hotel, Restaurant, Cafe, Bar, Hotel

Weight: Customized, Standard, Non-Standard

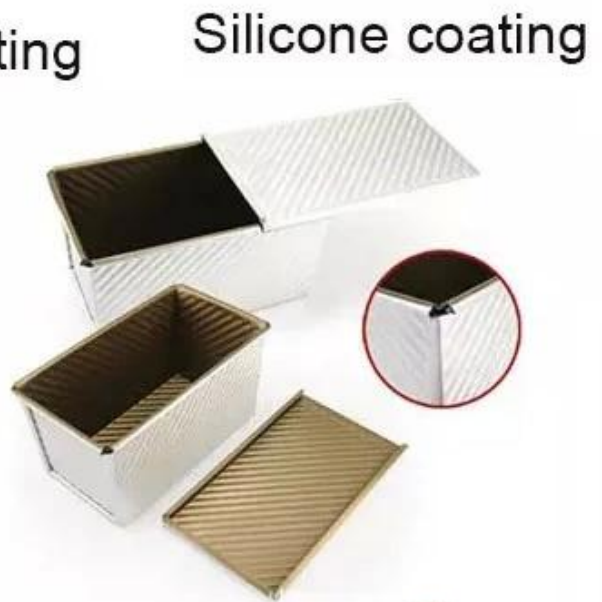
Lead Time: Customized, Standard, Non-Standard

customized single loaf pan





Teflon coating



Silicone coating



Material:

Aluminum alloy

Aluminized steel

本公司提供 [各种规格的不锈钢托盘](#)，支持 ODM&OEM 定制服务，品质可靠，交货及时，是您工业生产的理想选择。

我们拥有先进的生产设备和技术团队，能够为您提供从设计到生产的全方位服务。如有任何需求，请随时联系我们。电话：+86 755 12345678。地址：深圳市宝安区西乡街道。

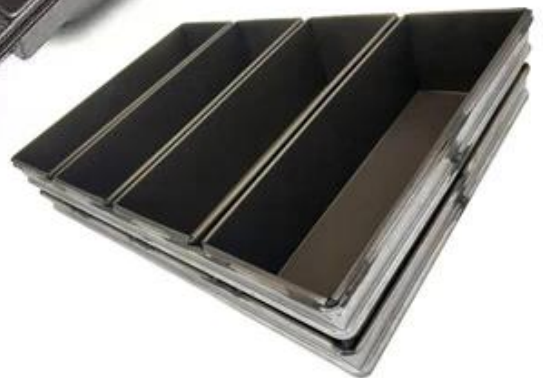
More Customized Strap Loaf Pans from Tsingbuy



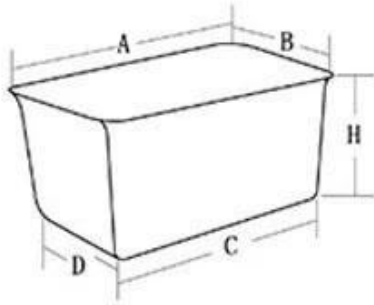




Customized shape
Customized size
Rack matched

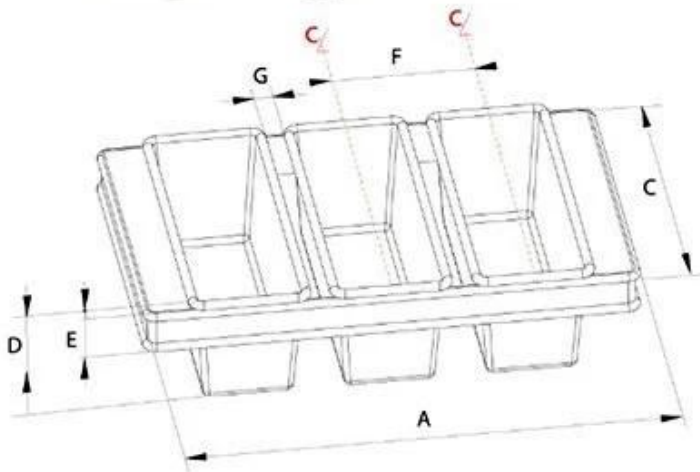


Customized Single Loaf Pan



- A. Top length of the item
- B. Top width of the item
- C. Bottom length of the item
- D. Bottom width of the item
- H. Height

Customized Strapped Loaf Pan Sets



- A. Overall Length
- C. Overall Width
- D. Depth
- E. Frame Height
- F. Center-to-center
- G. Pan Distance



Flat handle



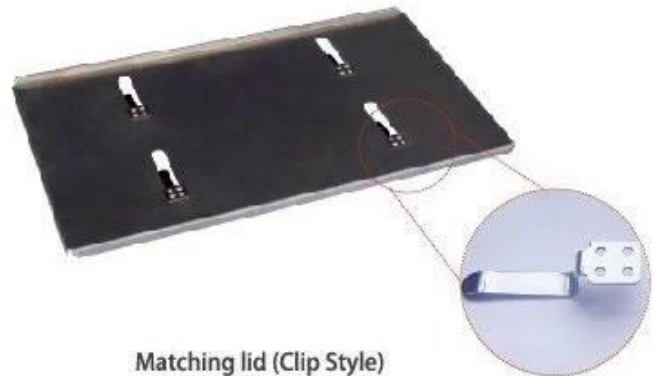
Frame handle



no handle



Matching lid (Drop Style)



Matching lid (Clip Style)

XXXXXXXXXX

Tsingbuy [XXXXXXXXXXXXXXXXXXXXXXXXXXXX](#) XXXXXXXXXXXXXXXXXXXXXXXX XXXXXXXXXXXX XXXXXXXXXXXX XXXXXXXXXXXXXXXX
XXXXXXXXXX XXX XXXXXXXXXXXXXXXXXXXXXXXX XXXXXXXXXXXXXXXX XXXXXXXXXXXX XXXXXXXXXXXXXXXXXXXXXXXX XXXXXXXX ODM & OEM
XX
XX



Loaf Pan
Tsingbuy Industry Limited



