



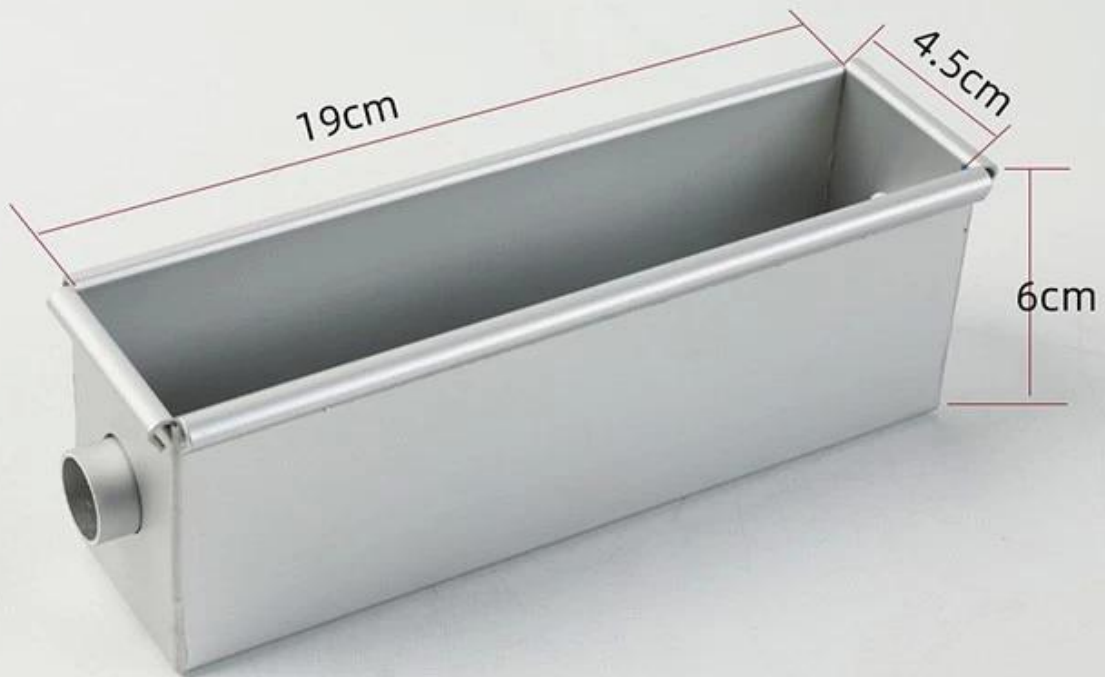


250g Bread Loaf Pan

1.2mm thick aluminum

**Heart Shaped
Hollow in Middle**





100g Loaf Bread Mold

1.2mm thick aluminum alloy

Heart shaped
hollow in middle







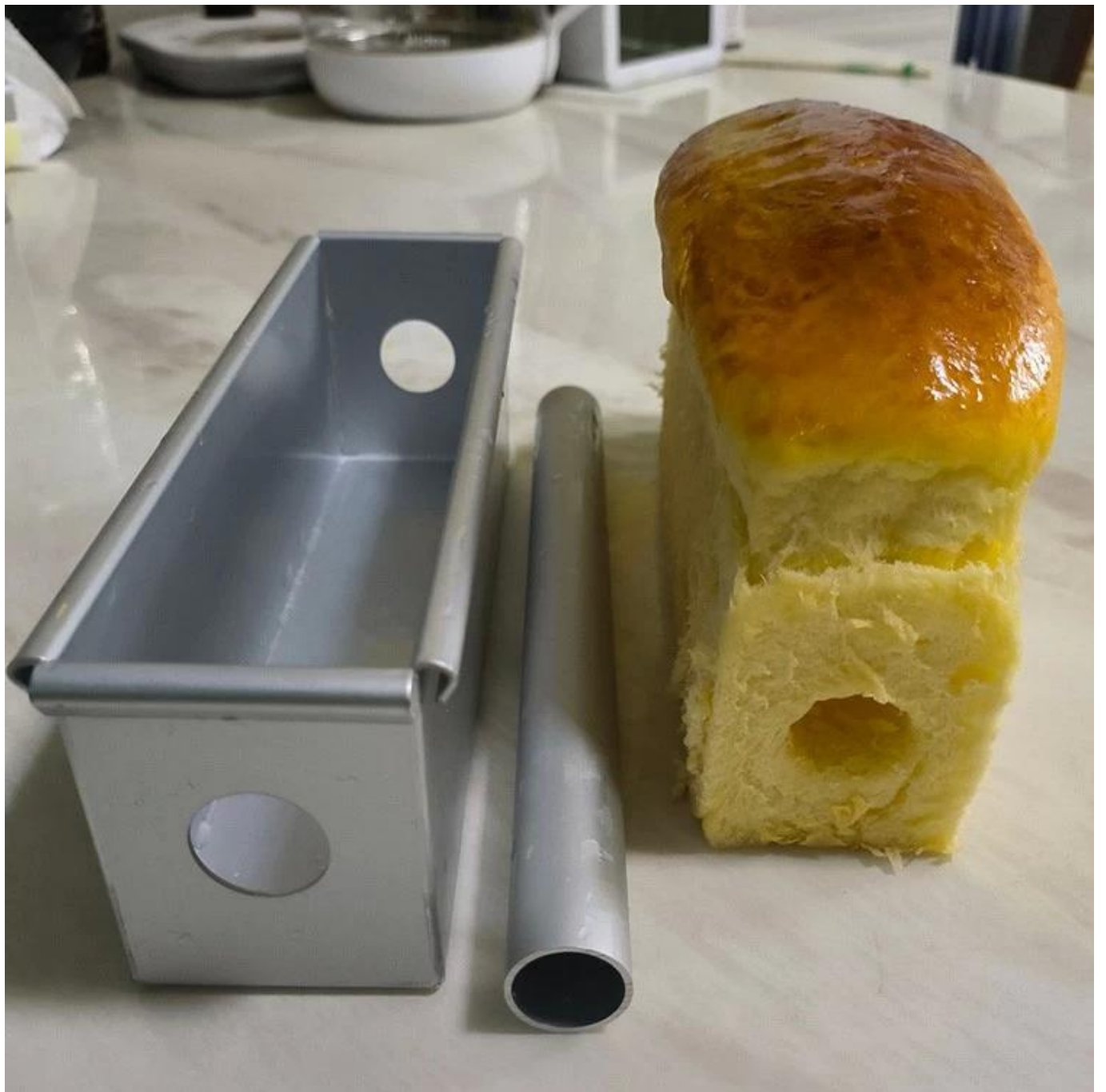














Loaf Pan

mini cube pullman loaf pan Tsingbuy [Tsingbuy](#). [Tsingbuy](#):

Material: aluminum, stainless steel, silicone, bakelite

Capacity: 250/450/500/750/900/1000/1200g

Coating: PTFE, non-stick, anodized aluminum, stainless steel

Service: ODM&OEM





Regular Specification of Single Loaf Bread Baking Pan

Model	Dough Weight	Size		Weight	Thickness
		Upper	Bottom		
TSTP036	250g	164x94 mm	158x87 mm	77 mm	1.0 mm
TSTP037	300g	175x100 mm	173x98 mm	100 mm	1.0 mm
TSTP038	385g	217x94 mm	211x88 mm	77 mm	1.0 mm
TSTP039	450g	197x106 mm	186x101 mm	110 mm	1.0 mm
TSTP040	600g	309x91 mm	300x84 mm	107 mm	1.0 mm
TSTP041	750g	316x100 mm	305x93 mm	116 mm	1.0 mm
TSTP042	900g	327x106 mm	316x100 mm	122 mm	1.0 mm
TSTP043	1000g	327x121 mm	312x119 mm	120 mm	1.0 mm
TSTP044	1200g	370x120 mm	361x116 mm	125 mm	1.0 mm
TSTP045	1500g	450x123 mm	447x120 mm	130 mm	1.0 mm



歡迎參觀

本公司 bakeware 產品種類繁多，Tsingbuy 專業 CNC 加工，品質優良，價格公道。現有 150 餘種產品，歡迎各界人士垂詢。本公司提供 OEM&ODM 服務，歡迎各界人士垂詢。本公司產品符合 ISO9001, LFGB 標準，品質保證。

歡迎各界人士垂詢，本公司提供 ODM&OEM 服務，品質保證。歡迎各界人士垂詢，本公司提供 ODM&OEM 服務，品質保證。

Production Machines



Automatic cutting machine



Automatic punching machine



Punching machine



Bending machine



Sand blasting machine



Drying machine

Our Advantages



Professional machine



Standard production flow



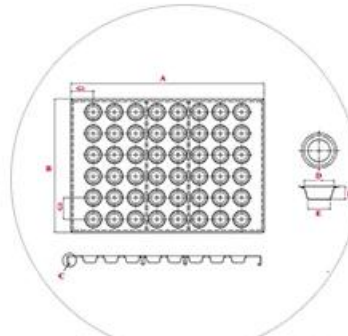
Experienced workers



Clean & tidy warehouse



Quick production fast dispatch



ODM & OEM service









