

# Detachable Aluminum Metal Pizza Peel Pizza Shovel with Long Wood Handle

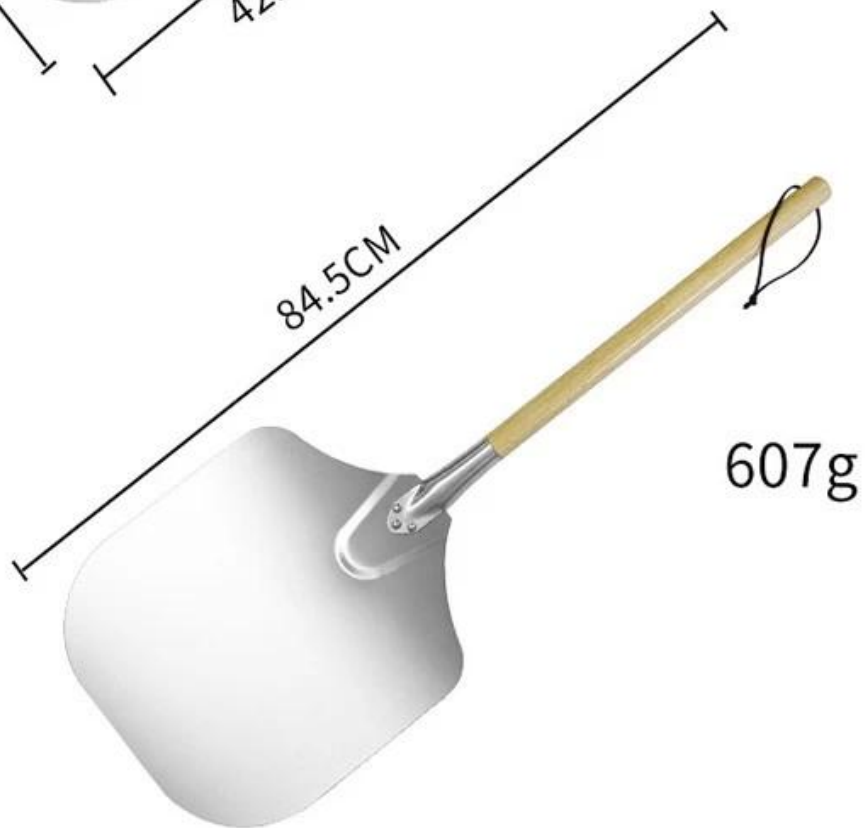
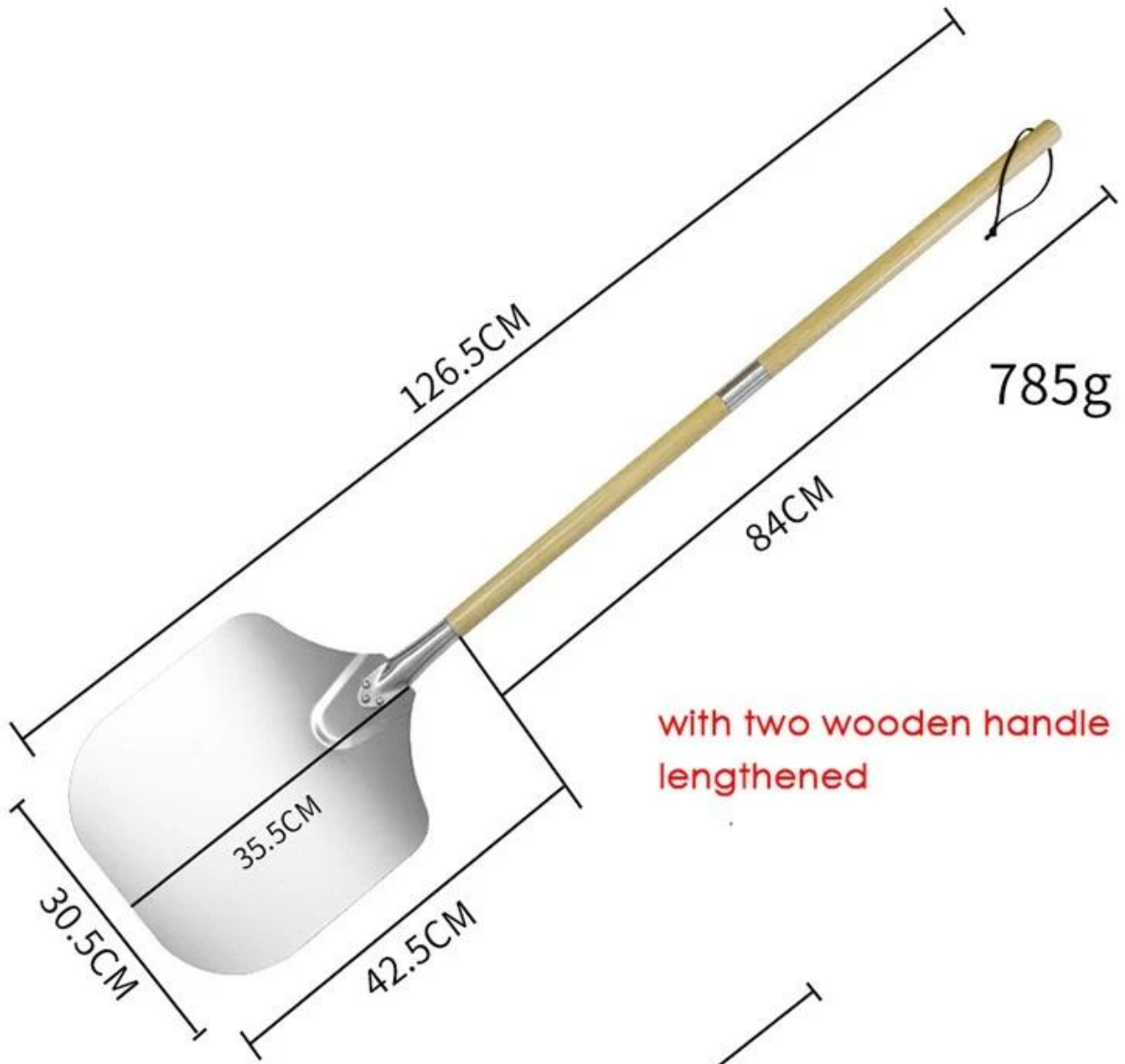
## Main features of aluminum pizza peel pizza shovel with detachable wooden handle

- 12 inch high quality aluminum metal paddle with detachable wooden handle, simple to use and firm when assembled;
- Multiple sizes of the handle for choices, customized available;
- Large paddle for multiple functions like transferring pizza, pie pastry food, cake etc;
- Use rubber wood to make handles, effectively anti-sliding for stable grip;
- Directly supplied by Tsingbuy professional [metal pizza peel factory](#) with large production capacity and ODM&OEM service available.

**Product images of detachable pizza shovel long handle pizza peel from Tsingbuy**





















12"x14"



Detachable Wooden handle



Loosen to the left



Tighten to the right

**Made in China**



More types of pizza peel for your choices from Tsingbuy [pizza shovel manufacturer](#).



**Factory Show**

## Production Machines



Automatic cutting machine



Automatic punching machine



Punching machine



Bending machine



Sand blasting machine



Drying machine

## Our Advantages



Professional machine



Standard production flow



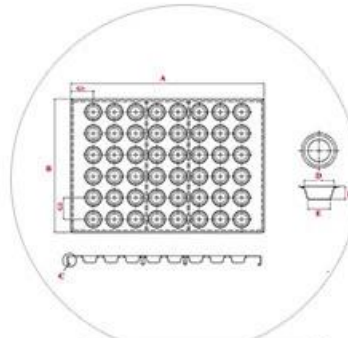
Experienced workers



Clean & tidy warehouse



Quick production fast dispatch



ODM & OEM service

## **Main products**

Besides wholesale of detachable aluminum pizza oven peel, Tsingbuy bakeware mainly provides ODM&OEM service of commercial baking trays, such as aluminum baking sheet pan, baguette pan, multi-mould cupcake pans, bread loaf pans and so on, as well as bakery trolley used in oven for baking. Welcome to consult for any bakery supplies.

## MAIN PRODUCT

### ● Industry cup tray



### ● Baguette tray



### ● Sheet pan



### ● Bakery Trolley



### ● Bread pan set

