

Stackable Aluminized Steel Non Stick 3 Cavities Strap Loaf Pan Toast Bread Sandwich Baking Pan Set

Main features of stackable 3-cavities strap loaf pan bread baking pan set

1. **Premium Materials:** Our strap loaf pan is made of high-quality aluminized steel, ensuring excellent heat distribution for consistent results. The non-stick surface guarantees that your bread will effortlessly release from the pan, leaving you with perfectly shaped loaves every time.
2. **Triple the Output:** With three separate cavities within a single pan, you can bake three loaves at once! This feature not only saves you time but also optimizes your baking space.
3. **Seamless Design:** Our single toast box is expertly crafted from a single piece of sheet material using a special molding technique. This means no dead corners or welding seams, making it incredibly easy to demold your bread and clean up afterwards. Say goodbye to stubborn residue and hello to hassle-free maintenance!
4. **Space-Saving Solution:** Designed with efficiency in mind, our strap loaf pan is stackable, allowing you to maximize your storage space. This feature is ideal for busy bakeries and food factories where space is at a premium.
5. **Custom Solutions:** Tsingbuy [strap loaf pan manufacturer](#) offer professional ODM (Original Design Manufacturing) and OEM (Original Equipment Manufacturing) services, enabling us to create a wide range of strap loaf pans tailored to your specific commercial and industrial needs. Whether you require custom sizes, shapes, or designs, we are here to bring your vision to life.

Our Aluminized Steel Non-Stick Strap Loaf Pan is not just a baking tool; it's a solution to elevate your baking operations. Experience the convenience, quality, and versatility that our product offers, and take your bakery or food factory to the next level. Invest in excellence today and watch your bread-baking process become more efficient, productive, and enjoyable.

Product images of stackable 3-cavities strap loaf pan bread baking pan set

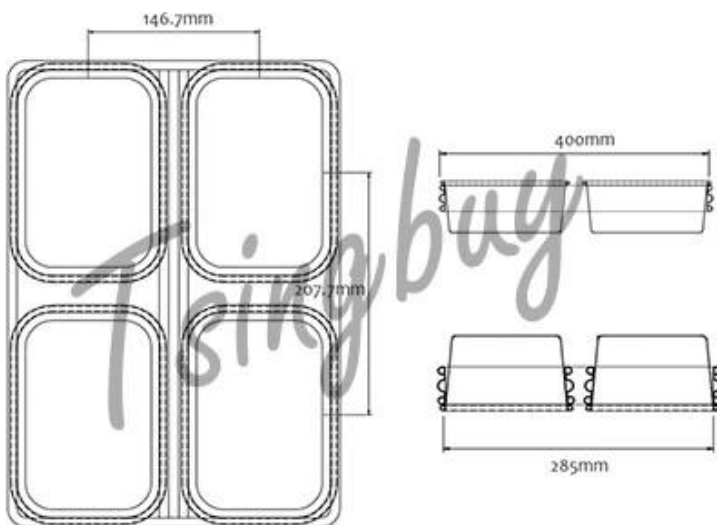
One-piece sheet molded toast box
No dead angle, no welding
easy to demould and clean



**3 cavities strap loaf bread baking pan set
stackable, non stick, commercial grade**



Design Chart for reference



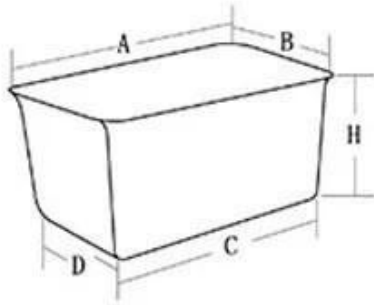


Tsingbuy is professional in making both single loaf pan and strap loaf pans. Here we share some models of strap loaf pan for your reference. Most of the strap loaf pans are custom designed according to requirements.

More Customized Strap Loaf Pans from Tsingbuy

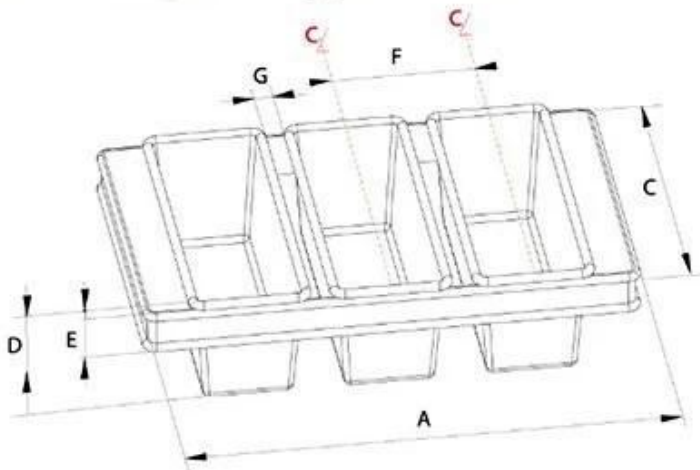


Customized Single Loaf Pan



- A. Top length of the item
- B. Top width of the item
- C. Bottom length of the item
- D. Bottom width of the item
- H. Height

Customized Strapped Loaf Pan Sets



- A. Overall Length
- C. Overall Width
- D. Depth
- E. Frame Height
- F. Center-to-center
- G. Pan Distance



Flat handle



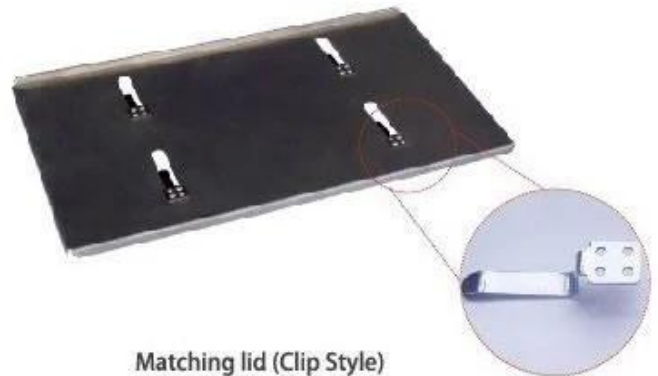
Frame handle



no handle



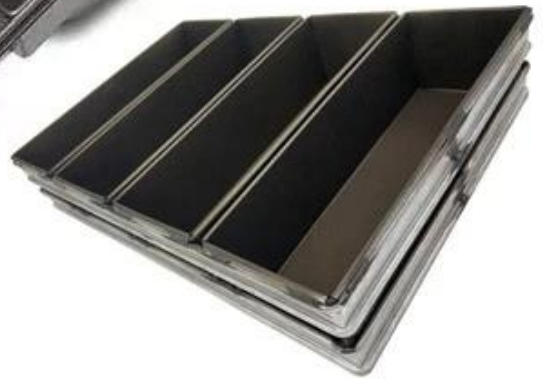
Matching lid (Drop Style)

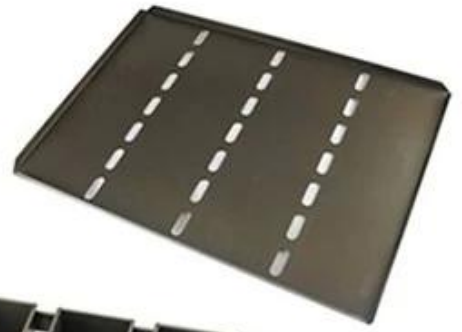


Matching lid (Clip Style)

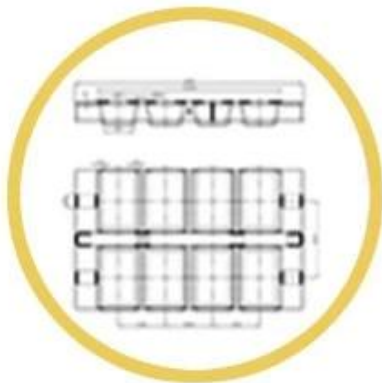


Customized shape
Customized size
Rack matched





Procedures for custom made loaf baking pans



1. DRAWING



2. DESIGN



3. PRODUCT



6. SHIPPING



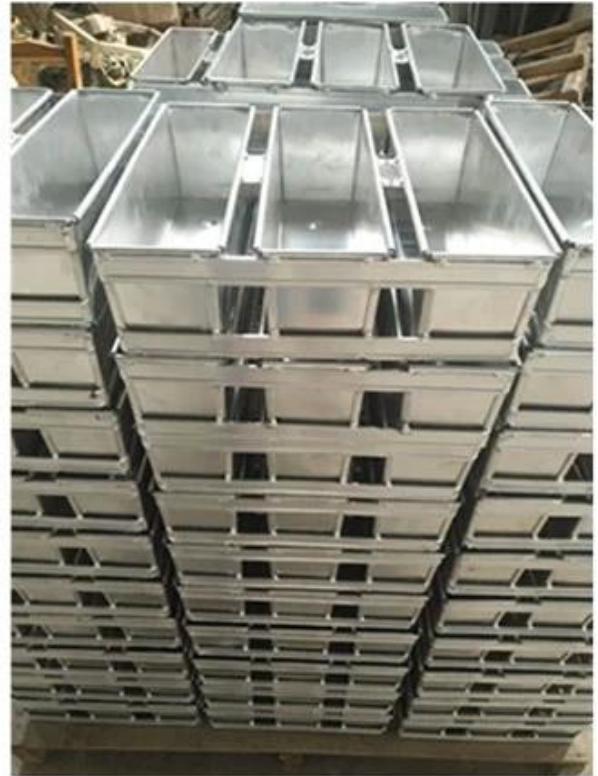
5. LOADING



4. PACKING



Custom Made Strap Loaf Pan Used with Bakery Trolley



More types of single bread loaf baking pan for home kitchen, bakery, restaurant etc

Here are some classic models of single loaf bread baking pan from Tsingbuy [personalized baking pans supplier](#).

Single Loaf Pan



natural surface



corrugated



full perforation



nonstick



corrugated



golden color



holes at bottom



full perforation



custom size







Besides [bread loaf pan wholesale](#), Tsingbuy bakeware manufacturer also provides custom design and wholesale of other commercial bakeware, such as sheet pans, baguette pans, loaf pans, multi-mould baking pans, bakery trolley, cake pans etc. Welcom to consult us at any time.

