

China Wholesale Industrial Bread Baking Pan

Main features of [loaf pan wholesales China](#)

- Commercial grade
- China loaf pan is built in folded construction with reinforcing wire
- [Toast tin manufacturer](#) designs the drop cover with a reinforced hemmed edge for easy slide on/off and also makes it more durable
- Unique corrugated surface design facilitates air circulation for evenly baked goods and quick release to bake the perfect quick bread, flawless pound cake, super moist cornbread, or classic meatloaf.
- Season pan prior to first use; wipe to clean; if needed, wash with cold water, mild soap and dry immediately

Caring of Teflon coated

Basic Maintenance tips (first time use only) from strap loaf pan manufacturer China

1. Clean the trays(make sure not use sharp tool, or it will damage the teflon coating)
2. Brush oil with the tray (in teflon coating area)
3. Set the oven on 180degrees
4. Put the trays inside oven , and keep in the oven at 180degrees for 10minutes

Other maintenance suggestions from China loaf pan supplier

1. Baking temperature need lower 250 degree and then can expand the life span.
2. To avoid unevenly heats .
3. Don't empty to burn.
4. Don't use high temperature steam cooking for a long time as it is easy to make the teflon took off.

Instructions of teflon daily using

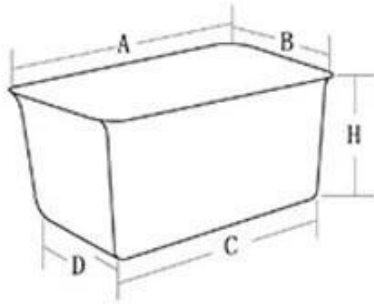
1. Cleaning with soft cloth and drying the tray before your using.
2. Using soft cloth or plastic scraper to clean the residues of the inner trays after finish baking.

3. Better to add some Neutral Detergent into temperature water to clean the residues entirely with soft cloth after using several times.
4. Brush some oil to improve the efficiency of coating while baking high sugar products (recommend butter, baking tray's oil or lard oil. Don't use salad oil)

Pictures of products for loaf pan wholesales China

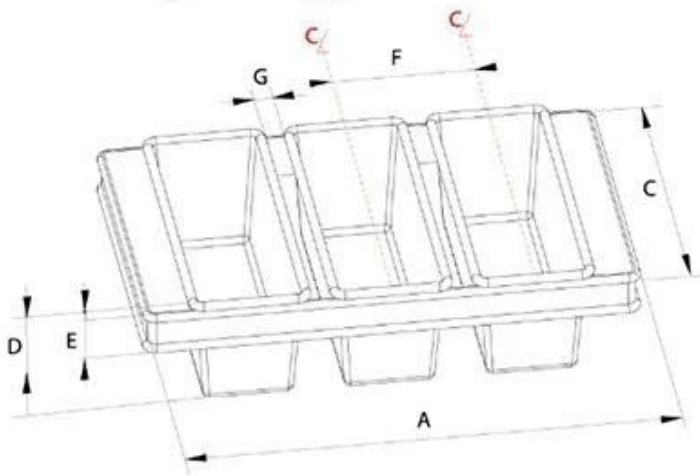


Customized Single Loaf Pan



- A.Top length of the item
- B.Top width of the item
- C.Bottom length of the item
- D.Bottom width of the item
- H.Height

Customized Strapped Loaf Pan Sets



- A.Overall Length
- C.Overall Width
- D.Depth
- E.Frame Height
- F.Center-to-center
- G.Pan Distance



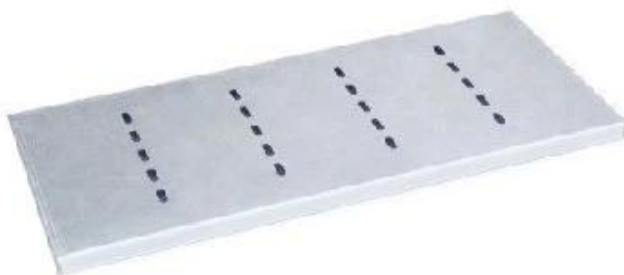
Flat handle



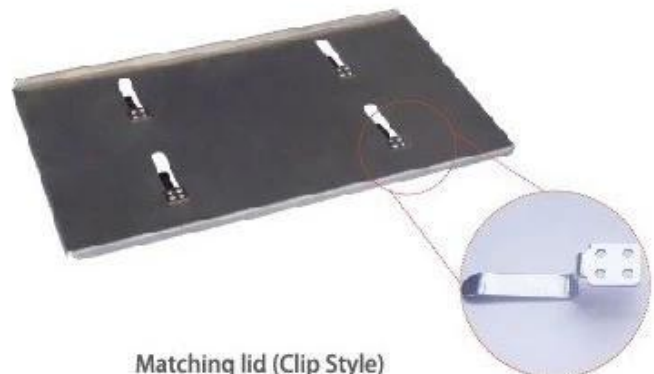
Frame handle



no handle



Matching lid (Drop Style)



Matching lid (Clip Style)

Single pullman pan



Industrial bread pan/strap loaf pan



With lid&without lid



Customized shape

Customized size

Rack matched



Factory pictures of China bakeware manufacturer

Leading manufacturer of industrial&custom made bakeware in China



Tsingbuy Industry Limited has been becoming one of the leading manufactures in commercial and home bakeware industry in China,we have more than 10 years focusing on research, development and manufacture of bakeware,our products mainly cover sheet pan,multi-mould pan,baguette tray,cake pan,industrial bread pan,pizza pan and other bakeware.



Showroom of China bakeware manufacturer



Customer Visiting China bakeware manufacturer



About us

Tsingbuy is professional [China bakeware manufacturer](#) and also an experienced role as strap loaf pan manufacturer China. We have engaged in bakeware for more than 12 years, manufacturing sheet pans, baguette tray, loaf pans, bakery trolley, OEM industry cup tray and various customization bakeware. We also supply other baking related tools, such as banneton baskets, PP baskets, bread lame, baking couche and so on.

Contact us



Zoe Lee

TSINGBUY INDUSTRY LIMITED FACTORY PLANET
OEM & ODM - Bakeware and Customization



Tel

+86 186 1186 6087

+86 0755-85234769



Email

marketing@tsingbuy.com



Skype

+86 186 1186 6087



Whatsapp

+86 186 1186 6087



Web

www.chinabakeware.com



ADD

2 Floor B1 Building, No 22 Dafu Industry
park, Guanlan, Longhua District, Shenzhen, China 518110

Related Products

