

# Professional Commercial Anodized Aluminum Toast Bread Loaf Pan Sandwich Bread Baking Tin Mold with Round/Heart-shaped Hollow in Center

## Main features of aluminum sandwich bread mold toast loaf baking pan with hollow in center

### Premium Craftsmanship

Crafted from high-quality 1.0 anodized aluminum, this bread loaf pan is built to last. Its robust construction ensures even heat distribution for perfectly baked loaves every time.

### Innovative Hollow Design

Unleash your culinary creativity with the detachable hollow center, specifically engineered for crafting delightful sandwich loaf bread. Effortlessly create a space for your favorite fillings, transforming your bread into a scrumptious sandwich.

### Shape Your Imagination

The hollow center comes in two enchanting options – round or heart-shaped. Elevate your bread-making artistry by incorporating jams, spreads, or even a surprise filling, resulting in visually appealing and delectable treats.

### Versatility at its Best

Whether you're a home baker, a professional chef, or a bakery owner, this bread loaf pan is your trusted companion. Perfect for crafting delectable loaves in the comfort of your kitchen or meeting the demands of a bustling bakery or restaurant.

### Unmatched Expertise

Proudly presenting Tsingbuy [professional loaf tin supplier](#), a distinguished name in commercial-grade bakeware manufacturing with over 15 years of industry expertise. Experience professional ODM and OEM services that cater to your unique baking equipment needs, ensuring your culinary creations shine.

## Product Pictures of aluminum sandwich bread mold toast loaf baking pan with hollow in center



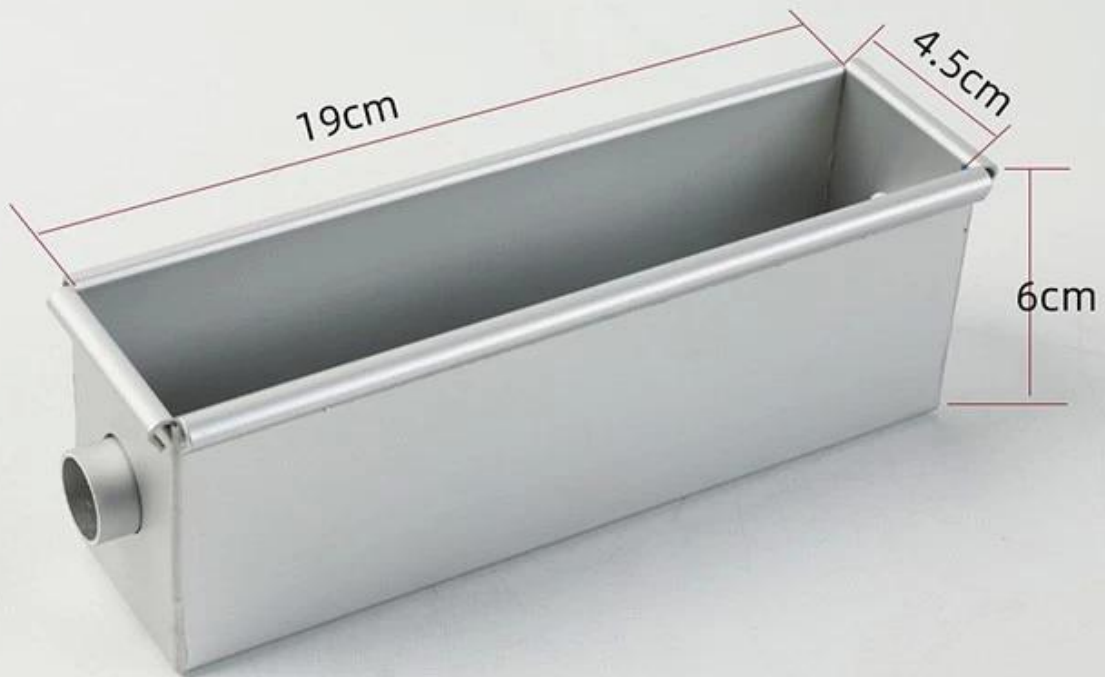


**250g Bread Loaf Pan**

1.2mm thick aluminum

**Heart Shaped  
Hollow in Middle**





## 100g Loaf Bread Mold

1.2mm thick aluminum alloy

Heart shaped  
hollow in middle











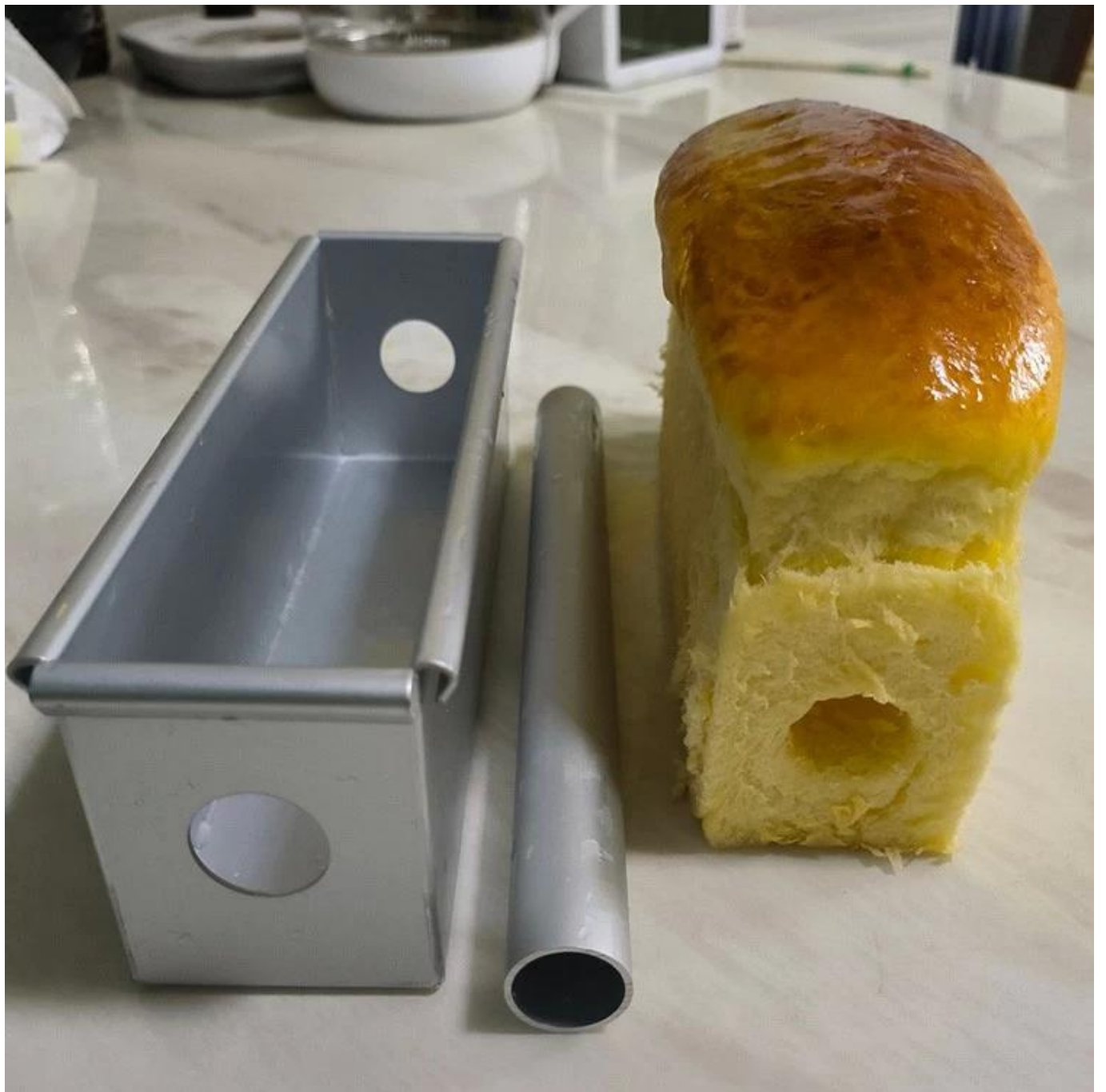
















## More Hot Selling Loaf Pan Models Recommended

More mini cube pullman loaf pan square shape bread baking pans from Tsingbuy [bread molds factory](#). As following pictures:

Material options: aluminium alloy, aluminized steel, stainless steel, carbon steel

Size options: 250/450/500/750/900/1000/1200g and any custom size

Surface options: natural surface, PTFE non stick surface, silicone surface, corrugated surface, perforated surface etc

ODM&OEM service is our biggest strength.





### Regular Specification of Single Loaf Bread Baking Pan

Model	Dough Weight	Size		Weight	Thickness
		Upper	Bottom		
TSTP036	250g	164x94 mm	158x87 mm	77 mm	1.0 mm
TSTP037	300g	175x100 mm	173x98 mm	100 mm	1.0 mm
TSTP038	385g	217x94 mm	211x88 mm	77 mm	1.0 mm
TSTP039	450g	197x106 mm	186x101 mm	110 mm	1.0 mm
TSTP040	600g	309x91 mm	300x84 mm	107 mm	1.0 mm
TSTP041	750g	316x100 mm	305x93 mm	116 mm	1.0 mm
TSTP042	900g	327x106 mm	316x100 mm	122 mm	1.0 mm
TSTP043	1000g	327x121 mm	312x119 mm	120 mm	1.0 mm
TSTP044	1200g	370x120 mm	361x116 mm	125 mm	1.0 mm
TSTP045	1500g	450x123 mm	447x120 mm	130 mm	1.0 mm





## Factory Show

Tsingbuy commercial bakeware factory is well equipped with CNC machines, punching ,cutting, moulding machines, our annual production ability has been over 150million US-dollars. More,With professional and experienced technician teams, we have been offering super OEM&ODM services to so many bread factories to fit their machines and different receipts requirements. All our raw material and coating are comply with food safety regulations and our products come with ISO9001□LFGB certificate. From raw material to finished products□we have strict quality control system in every process to make sure every pans in good condition.

Besides [bread loaf pan wholesale](#), we also provides ODM&OEM service of baking sheet pan, aluminum tray, baguette pan, french bread tray, multi-mould cupcake pan, muffin pan, cake pan, bakery trolley, cooling rack etc. Welcome to consult us at any time.

## Production Machines



Automatic cutting machine



Automatic punching machine



Punching machine



Bending machine



Sand blasting machine



Drying machine

## Our Advantages



Professional machine



Standard production flow



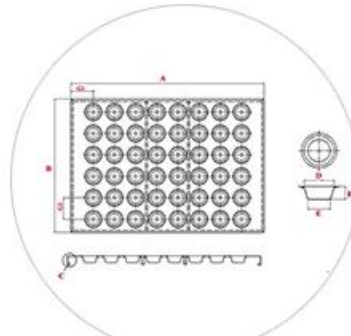
Experienced workers



Clean & tidy warehouse



Quick production fast dispatch



ODM & OEM service















