

# 16 Inch Aluminum Gold Color Corrugation Loaf Pan Wholesales China

## **Main Features of Loaf Pan Wholesales China**

1. High quality, safe and strong aluminum material
2. Reasonable price from strap loaf pan manufacturer China and competitive in your market
3. Non-stick Teflon coating
4. Easy to demould and clean
5. Multi-mould options and corrugated surface
6. Customization of China loaf pan also welcomed







#### **Description of [Loaf Pan Wholesales China](#)**

China loaf pan promoted in this page is made of aluminum material of 1.0mm thickness with high quality and certificates. It is directly from factory of loaf pan supplier with reasonable price, so as to make it more competitive in price at your market. Loaf pan wholesales China is non-stick with Teflon coating and much easier to demould/clean. Tsingbuy China bakeware manufacturer has provided 250-1200g for your selection. It's corrugated and perforated. Multi-mould China loaf pan and customized loaf pan is always welcomed in Tsingbuy loaf pan supplier.

# Single Pullman Pan



Teflon coating

Silicone coating



Material:

Aluminum alloy

Aluminized steel



# Industrial Bread Pan



With lid&without lid



Customized shape

Customized size

Rack matched





4  
5  
9  
N  
o  
n  
n  
a  
f  
f  
a  
p  
a  
n  
6  
9  
N  
o  
n  
n  
a  
f  
f  
a  
p  
a  
n  
7  
5  
9  
N  
o  
n  
n  
a  
f  
f  
a  
p  
a  
n

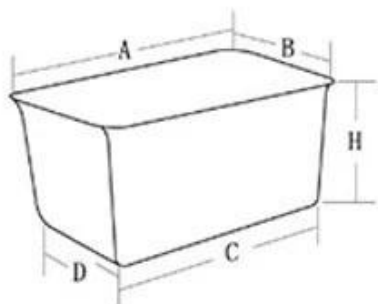
9  
G  
N  
O  
N  
N  
N  
O  
O  
a  
f  
p  
a  
n  
N  
G  
N  
O  
N  
N  
N  
O  
O  
a  
f  
p  
a  
n  
N  
G  
N  
O  
O  
a  
f  
p  
a  
n

**Customization of loaf pan wholesalesChina**

With a few specifications, you can customize your loaf pan from Tsingbuy telling the following information, which is professional China bakeware manufacturer engaged in baking industry for more than 12 years.

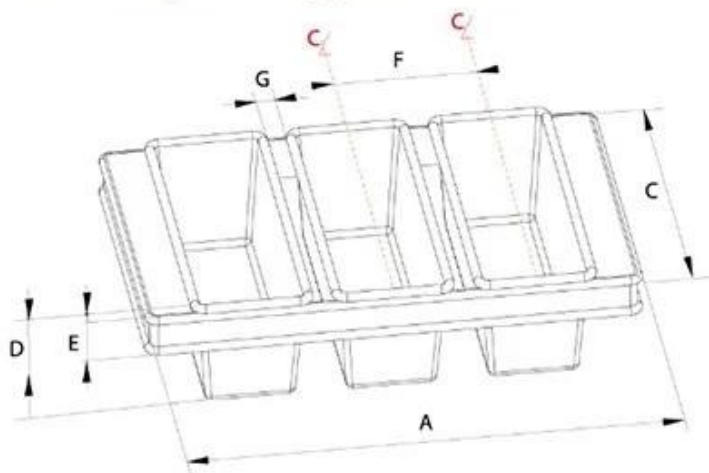


## Customized Single Loaf Pan



- A.Top length of the item
- B.Top width of the item
- C.Bottom length of the item
- D.Bottom width of the item
- H.Height

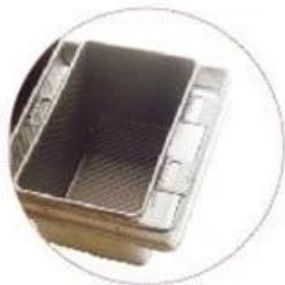
## Customized Strapped Loaf Pan Sets



- A.Overall Length
- C.Overall Width
- D.Depth
- E.Frame Height
- F.Center-to-center
- G.Pan Distance



Flat handle



Frame handle



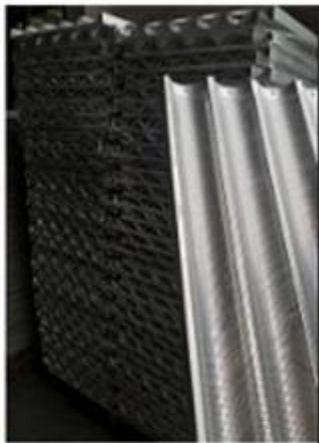
no handle



Matching lid (Drop Style)



Matching lid (Clip Style)





## about us

Tsingbuy Industry Limited has been becoming one of the leading [China bakeware manufacturer](#) in commercial and home bakeware industry. We have more than 12 years experiences focusing on research, developing and producing bakeware covering sheet pan, multi-mould pan, loaf pan/toast tin, baguette tray, cake pan, [OEM industrial cup tray](#), pizza pan and other baking related tools.

## TEAM SHOWED



### Contact us

 <b>Zoe Lee</b>	TSINGBUY INDUSTRY LIMITED FACTORY PLANET OEM & ODM - Bakeware and Customization	
 Tel	+86 186 1186 6087	+86 0755-85234769
 Email	marketing@tsingbuy.com	
 Skype	+86 186 1186 6087	
 Whatsapp	+86 186 1186 6087	
 Web	www.chinabakeware.com	
 ADD	2 Floor B1 Building, No 22 Dafu Industry park, Guanlan, Longhua District, Shenzhen, China 518110	

### Related products

