

# 1500g Golden Corrugated Nonstick Loaf Pan

## Main features of golden corrugated non-stick loaf pan toast baking tin

1. Golden color, made of 1.0mm thick aluminum alloy, durable for long service life.
2. Food-safe and corrugated, non-stick surface is smooth and not sticky, easy to demould, easy to clean
3. With corrugated design and cover, it is convenient to make American toast with flat sides. The corrugated surface makes it more convenient to demould.
4. The bottom hole is optional for better circulation of hot air and uniform heating.
5. Wire in rim design makes it more durable and not easy to deformation for long service life.
6. Multiple function for making sandwiches, toast, traditional loaf breads etc.
7. ODM & OEM is available in Tsingbuy professional [pullman loaf pan manufacturer](#).
8. Tsingbuy is a professional supplier which has proudly manufactured high quality baking trays, pullman loaf tins and provided custom bakeware for international market for over 12 years.

## Product images of 1500g golden corrugated non-stick loaf pan toast baking tin







### **More types of bread & loaf pans for your information**

Here are more types for your information from Tsingbuy [nonstick loaf pan factory](#).

Our Pullman loaf pans is designed with simple style, beautiful and practical with fast heat conduction, even heating, not easy to appear partial scorch.

Material optional: aluminum, aluminized steel, stainless steel

Perforation options: no perforation, bottom-perforated, all-perforated

Using scene: single loaf pan, strap loaf pan

Surface options: smooth, corrugated, no-coating, Teflon non-stick, silicone non-stick

Size: any size

Lid: with lid or not as your requirement.

## customized single loaf pan





Teflon coating



Silicone coating



Material:

Aluminum alloy

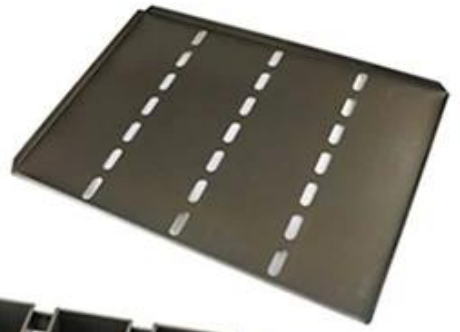
Aluminized steel



Custom manufacturing of strap loaf pan is one of our biggest strength, welcome for more info. We have engaged in bakeware manufacturing for over 12 years and has been supplying thousands of bakeware for international customers. Using our baking pan, you can easily make all kinds of delicious food, Chiffon cakes, mousse cake, Pound cake, cheese cake, etc

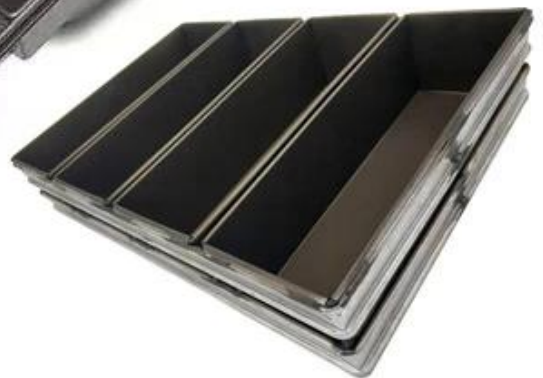
## More Customized Strap Loaf Pans from Tsingbuy





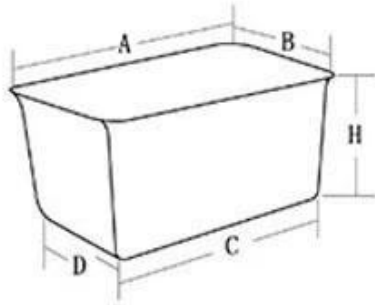


Customized shape  
Customized size  
Rack matched



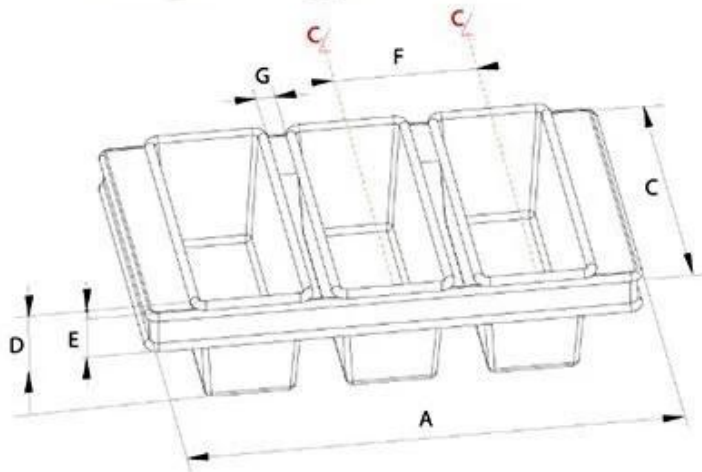


## Customized Single Loaf Pan



- A. Top length of the item
- B. Top width of the item
- C. Bottom length of the item
- D. Bottom width of the item
- H. Height

## Customized Strapped Loaf Pan Sets



- A. Overall Length
- C. Overall Width
- D. Depth
- E. Frame Height
- F. Center-to-center
- G. Pan Distance



Flat handle



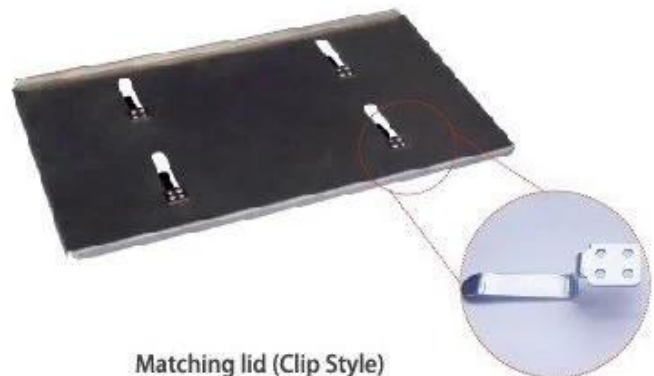
Frame handle



no handle



Matching lid (Drop Style)



Matching lid (Clip Style)

## Factory pictures



## Loaf Pan

Tsingbuy Industry Limited



## Contact us

 <b>Zoe Lee</b>	TSINGBUY INDUSTRY LIMITED FACTORY PLANET OEM & ODM - Bakeware and Customization	
 Tel	+86 186 1186 6087	+86 0755-85234769
 Email	marketing@tsingbuy.com	
 Skype	+86 186 1186 6087	
 Whatsapp	+86 186 1186 6087	
 Web	www.chinabakeware.com	
 ADD	2 Floor B1 Building, No 22 Dafu Industry park, Guanlan, Longhua District, Shenzhen, China 518110	