

# 1000g Aluminum Loaf Pan

## Main features of 1000g aluminum loaf pan

- 1.0 thick aluminum material, best heat conductivity among all the metal baking pans.
- Cube shape design with easily drop-on and drop-off lid, to make accurate cube shaped toast bread.
- Food-safety non-stick coating, easier for bread loaf release and pan cleanup.
- Curling edge and wire in rim for extra support, more strength, better durability and longer service life.
- Tsingbuy had custom manufactured many types of metal bread loaf pan. We have become a leading professional and experienced as a [aluminum loaf pan manufacturer](#).

## Product image of 1000 aluminum loaf pan





**Teflon Coated**





### Customized loaf pan service from Tsingbuy

Tsingbuy has been also supplying custom manufacturing of single loaf pan and strap loaf pan. We have engaged in bakeware industry for more than 12 years. Strap loaf pan customization is one of our main business. We have supplied hundreds of customized single/strap loaf pan, as well as [non-stick aluminum bread toast tin](#) for international customers. By telling us your required size, we will send you a design chart to confirm and then will come out with the product on your demand.

Here are some pictures of more loaf pans we have made for your information. Welcome to contact us anytime for more information.

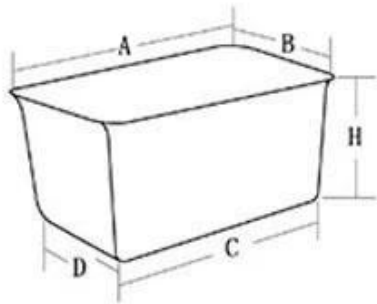
## customized single loaf pan



## More Customized Strap Loaf Pans from Tsingbuy

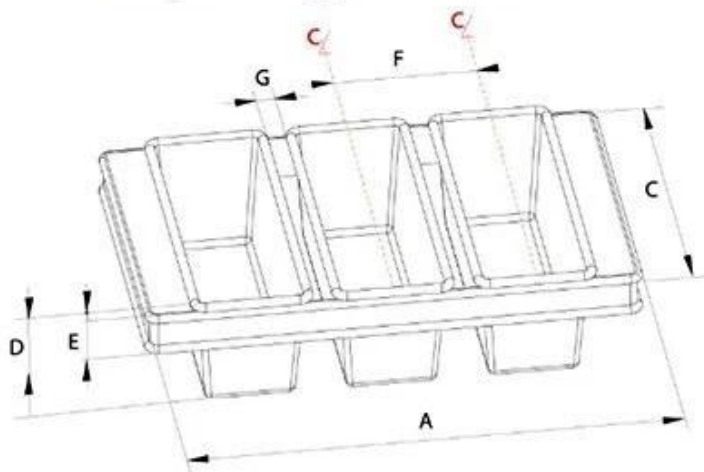


## Customized Single Loaf Pan



- A.Top length of the item
- B.Top width of the item
- C.Bottom length of the item
- D.Bottom width of the item
- H.Height

## Customized Strapped Loaf Pan Sets



- A.Overall Length
- C.Overall Width
- D.Depth
- E.Frame Height
- F.Center-to-center
- G.Pan Distance



Flat handle



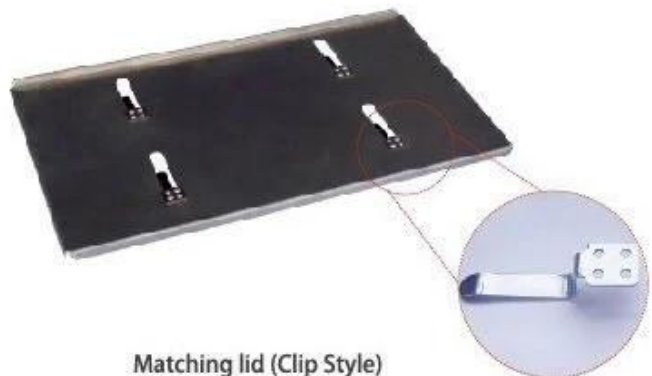
Frame handle



no handle



Matching lid (Drop Style)



Matching lid (Clip Style)

## Loaf pan factory pictures

We supply custom manufacturing of both single loaf pan and strap loaf pan, as well as other special requirements for loaf pan. here are some pphotos of [bottom perforated loaf pan supplier](#) for your inofrmation. We have strong factor

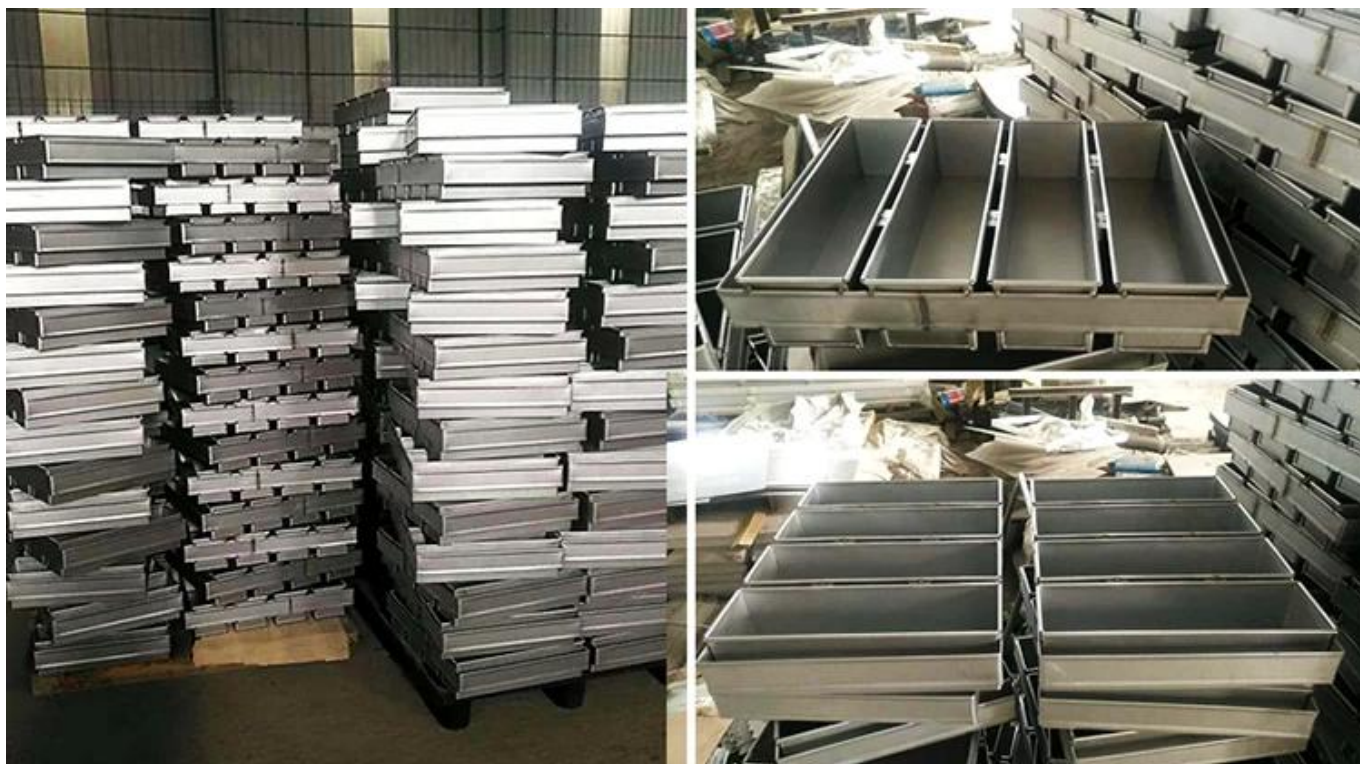
y production capacity.



## Loaf Pan

Tsingbuy Industry Limited





## Contact us

 <b>Zoe Lee</b>		<b>TSINGBUY INDUSTRY LIMITED FACTORY PLANET</b> OEM & ODM - Bakeware and Customization	
 Tel	+86 186 1186 6087	+86 0755-85234769	
 Email	marketing@tsingbuy.com		
 Skype	+86 186 1186 6087		
 Whatsapp	+86 186 1186 6087		
 Web	www.chinabakeware.com		
 ADD	2 Floor B1 Building, No 22 Dafu Industry park, Guanlan, Longhua District, Shenzhen, China 518110		