

# 100\*20mm Stainless Steel 304 Round Perforated Tart Ring

## Main features of 100\*20MM Stainless Steel 304 Round Perforated Tart Ring

### High Quality 304 Stainless Steel Material

Can direct contact with food, safe use, corrosion resistance, non-rusting, high strength, wear resistance, no deformation

### Perforated Design

Rings are designed be perforated. The air permeability holes are evenly distributed and compact. They have good air permeability, no leakage, and are not easy to retract. The baked tart cake / pie cake will be more crisp and has a unique ripple pattern.

### Smooth surface

After polishing and electrolysis treatment, the mould is smooth and beautiful, not prickly, easy to clean, not hiding dirt and residues, and the finished baking tart/pie is perfect.

### Specifications for choices

50mm\*20mm/35mm

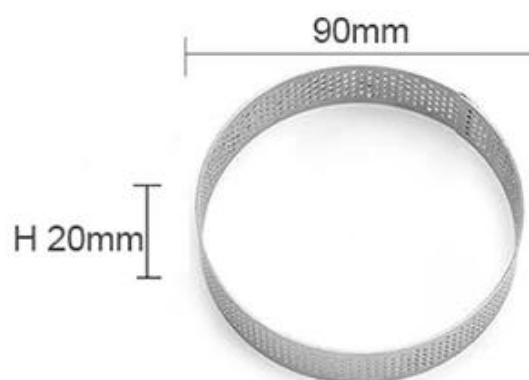
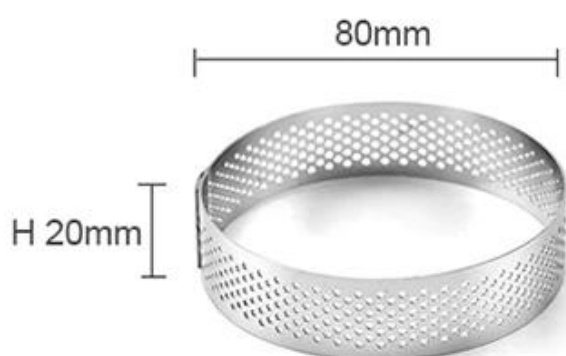
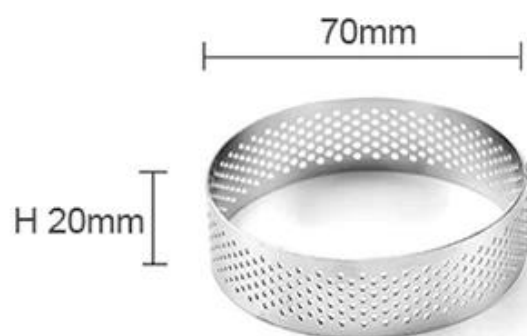
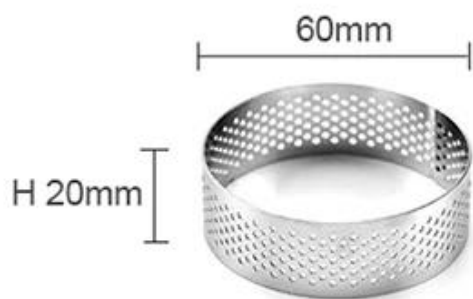
55/60/65/70/75/80/85/90/100/105/125/127/150/155/178/185/200/205/245/285mm\*20mm

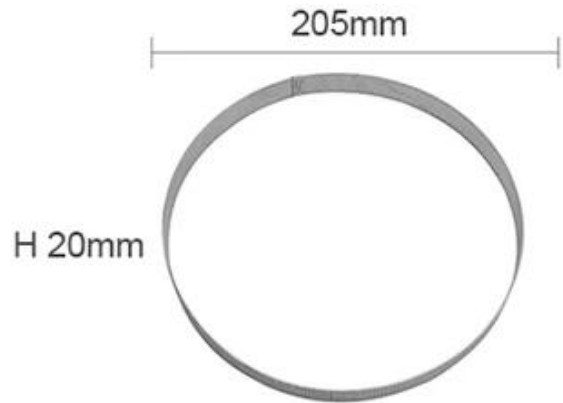
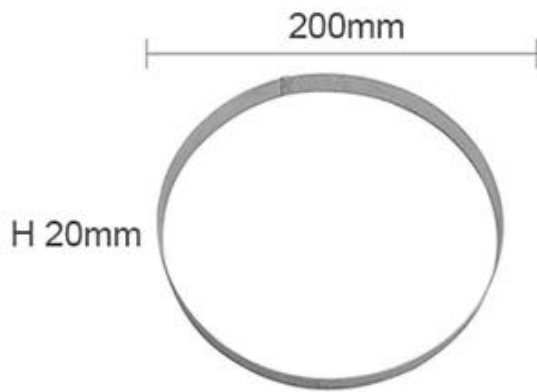
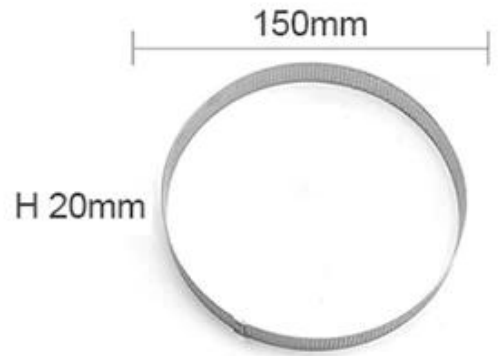
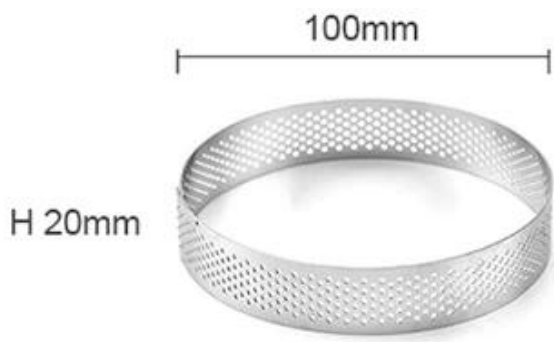
## Pictures of 100\*20MM Stainless Steel 304 Round Perforated Tart Ring







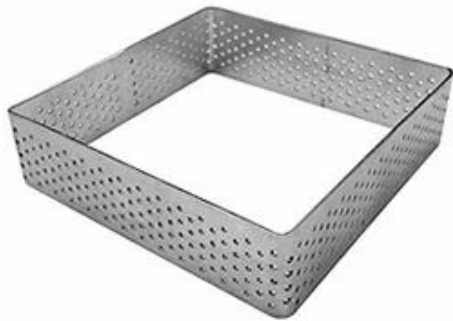




### More patterns of stainless steel 304 tart ring

Tsingbuy [stainless steel tart ring manufacturer](#) is supplying hundreds of mousse ring/tart ring types. As the leading China bakeware manufacturer, we have been providing professional customization bakeware for many years. Mousse ring/tart ring is one of our largest bakeware series. We have been providing international customers with a variety of shapes, sizes and patterns of mousse cake molds. If you are in the market for mousse rings or customized mousse cake molds, come to us will be a pleasant and successful experience.





[China Tart Ring Factory](#).. and Packing Pictures







## About us

Tsingbuy Industry Limited is the leading China bakeware manufacturer and we have been always striving to producing the best baking products, ranging from sheet pans, loaf pans/toast tins, baguette trays, OEM industry cup trays, bakery trolley, cooling rack and many other series of bakeware tools to baking related tools like banneton baskets, PP baskets, bakery couche, baking mat and so on. We have many successful and pleased customization cases by cooperation with International customers. [perforated tart ring supplier](#) is one of our important roles. We also have factory ability to provide customized service with professional team.

## Contact us

 Zoe Lee	TSINGBUY INDUSTRY LIMITED FACTORY PLANET OEM & ODM - Bakeware and Customization	
 Tel	+86 186 1186 6087	+86 0755-85234769
 Email	marketing@tsingbuy.com	
 Skype	+86 186 1186 6087	
 Whatsapp	+86 186 1186 6087	
 Web	www.chinabakeware.com	
 ADD	2 Floor B1 Building, No 22 Dafu Industry park, Guanlan, Longhua District, Shenzhen, China 518110	

## We mainly manufacturer

