

□□□□□□□□ [□□□□□□□□□□](#) Tsingbuy□□



lo lo Tsingbuy

customized single loaf pan



Teflon coating

Silicone coating



Material:

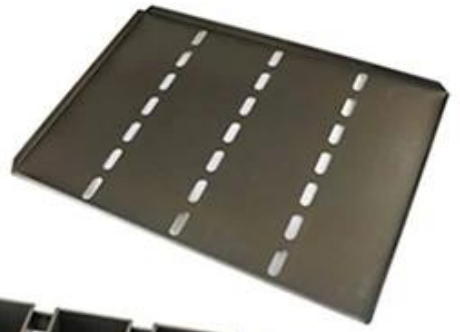
Aluminum alloy

Aluminized steel



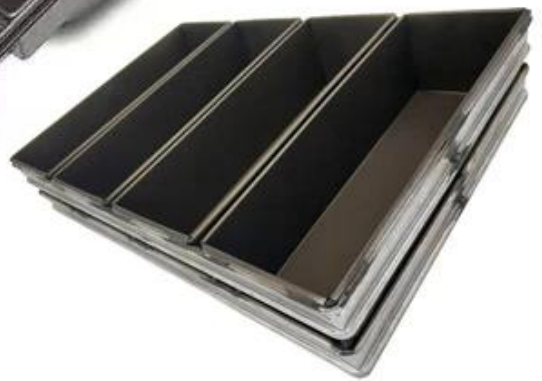
More Customized Strap Loaf Pans from Tsingbuy



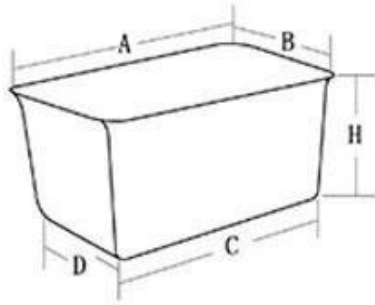




Customized shape
Customized size
Rack matched

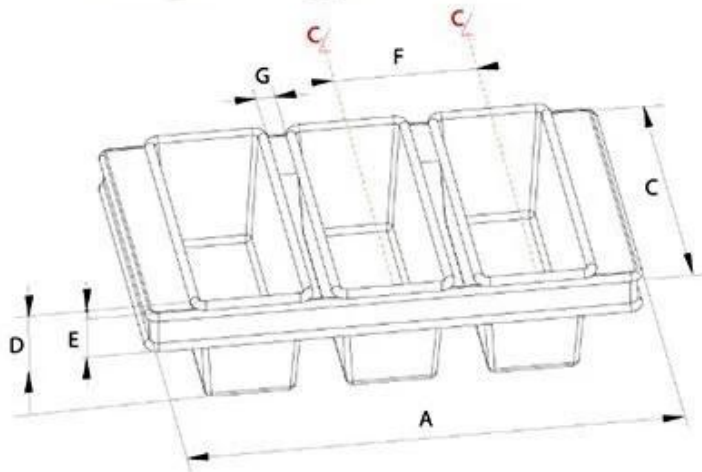


Customized Single Loaf Pan



- A. Top length of the item
- B. Top width of the item
- C. Bottom length of the item
- D. Bottom width of the item
- H. Height

Customized Strapped Loaf Pan Sets



- A. Overall Length
- C. Overall Width
- D. Depth
- E. Frame Height
- F. Center-to-center
- G. Pan Distance



Flat handle



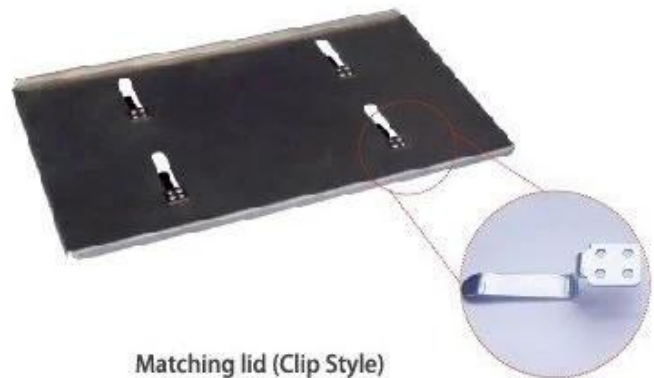
Frame handle



no handle



Matching lid (Drop Style)



Matching lid (Clip Style)



Loaf Pan

Tsingbuy Industry Limited

