

# 3

3

1. : 3

2. 3 : 1 3 3

3. : 3

4. : 3

5. : Tsingbuy [Tsingbuy](#) ODM (Original Design Manufacturing) OEM (Original Equipment Manufacturing)

3

**One-piece sheet molded toast box**

**No dead angle, no welding**

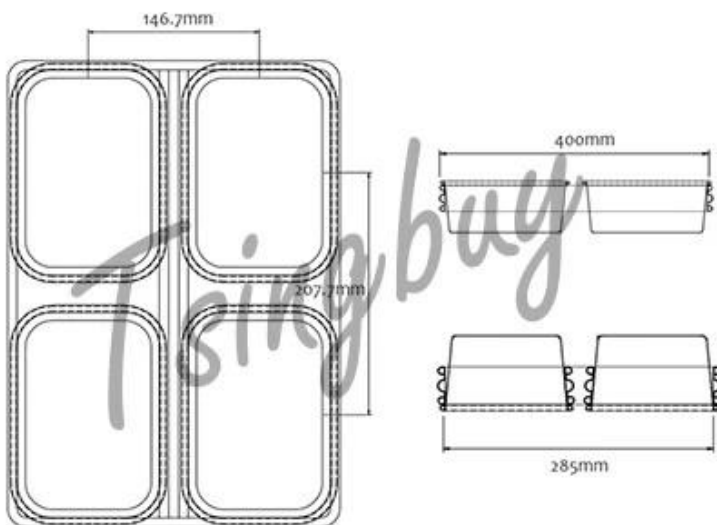
**easy to demould and clean**



**3 cavities strap loaf bread baking pan set  
stackable, non stick, commercial grade**



Design Chart for reference

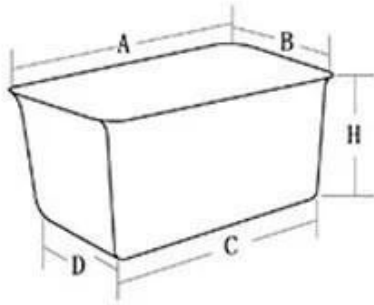




## More Customized Strap Loaf Pans from Tsingbuy

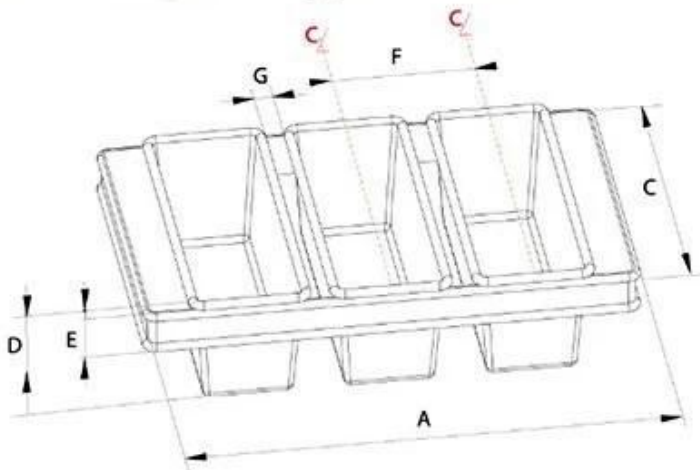


## Customized Single Loaf Pan



- A. Top length of the item
- B. Top width of the item
- C. Bottom length of the item
- D. Bottom width of the item
- H. Height

## Customized Strapped Loaf Pan Sets



- A. Overall Length
- C. Overall Width
- D. Depth
- E. Frame Height
- F. Center-to-center
- G. Pan Distance



Flat handle



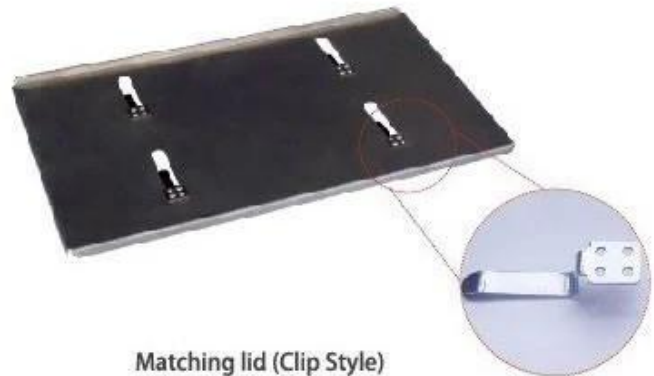
Frame handle



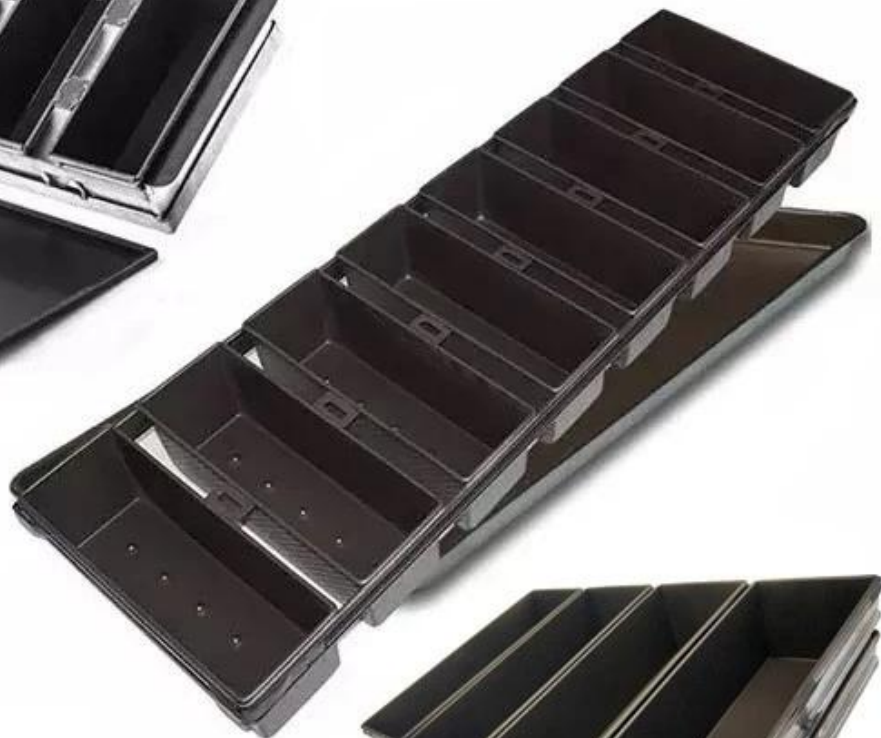
no handle



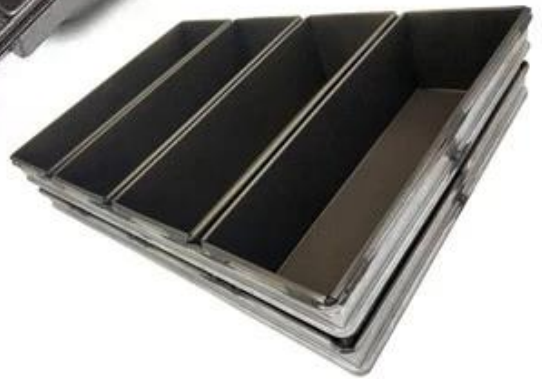
Matching lid (Drop Style)

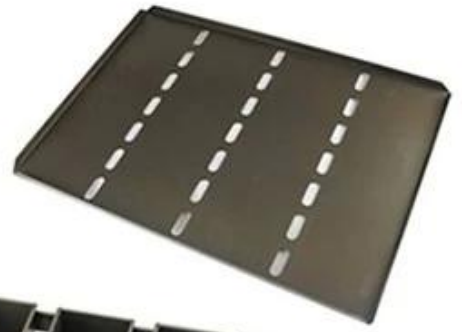


Matching lid (Clip Style)



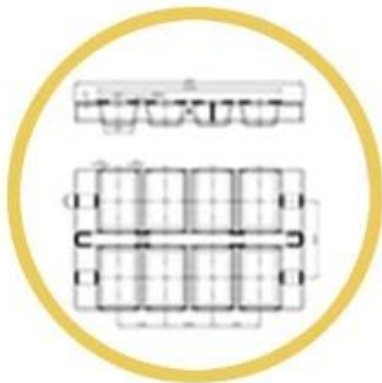
Customized shape  
Customized size  
Rack matched







## Procedures for custom made loaf baking pans



1. DRAWING



2. DESIGN



3. PRODUCT



6. SHIPPING



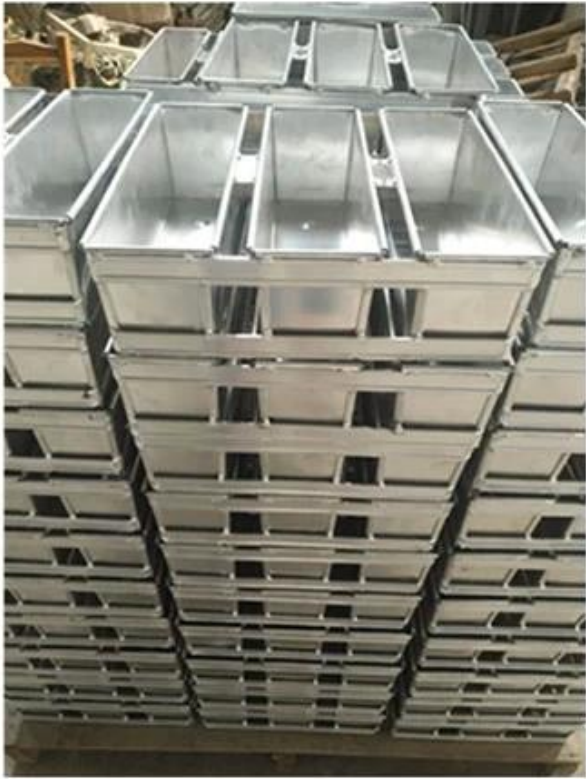
5. LOADING



4. PACKING



Custom Made  
Strap Loaf Pan  
Used with  
Bakery Trolley



www.Tsingbuy.com

# Single Loaf Pan



natural surface



corrugated



full perforation



nonstick



corrugated



golden color



holes at bottom



full perforation



custom size







www.Tsingbuy.com

