



















## Loaf Pans in Application







Teflon coating

Silicone coating



Material:

Aluminum alloy

Aluminized steel

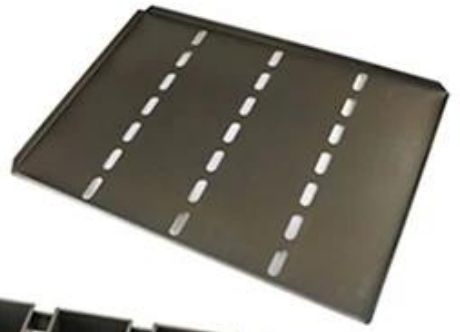
歡迎各界人士垂詢洽購

Tsingbuy [Tsingbuy](#) 12 歡迎各界人士垂詢洽購

歡迎各界人士垂詢洽購

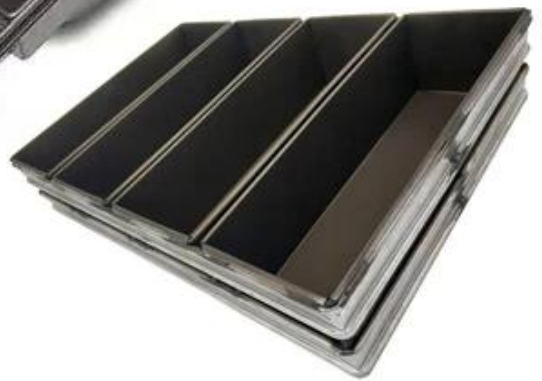
## More Customized Strap Loaf Pans from Tsingbuy



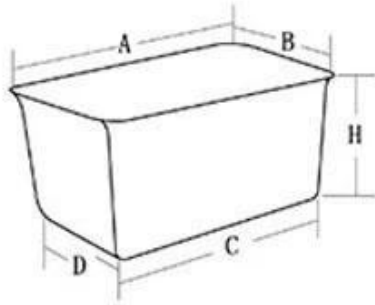




Customized shape  
Customized size  
Rack matched

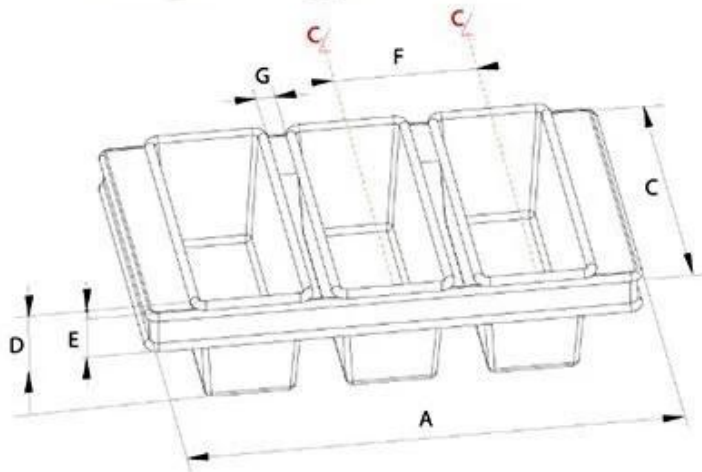


## Customized Single Loaf Pan



- A. Top length of the item
- B. Top width of the item
- C. Bottom length of the item
- D. Bottom width of the item
- H. Height

## Customized Strapped Loaf Pan Sets



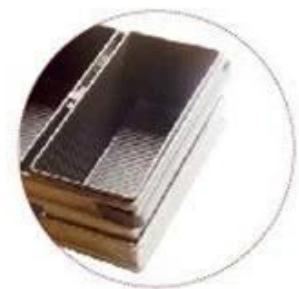
- A. Overall Length
- C. Overall Width
- D. Depth
- E. Frame Height
- F. Center-to-center
- G. Pan Distance



Flat handle



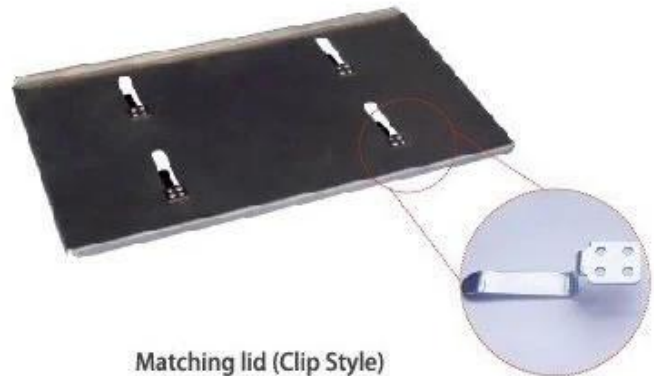
Frame handle



no handle



Matching lid (Drop Style)



Matching lid (Clip Style)





## Loaf Pan

Tsingbuy Industry Limited

