

450g

450g

1. 1.0mm
- 2.
- 3.
- 4.
- 5.
- 6.
7. ODM & OEM
8. Tsingbuy 12

450g



Aluminum
Non Stick Corrugated
Golden Color



Aluminum
Non Stick Corrugated
Black Color



Aluminum
Non Stick Loaf Pan
Black Coated



Cover Specifications









□□: □□□□□

□□: □□□□□□□□□□□□□□□□□□

customized single loaf pan



Teflon coating

Silicone coating



Material:

Aluminum alloy

Aluminized steel



ODM/OEM 1

12

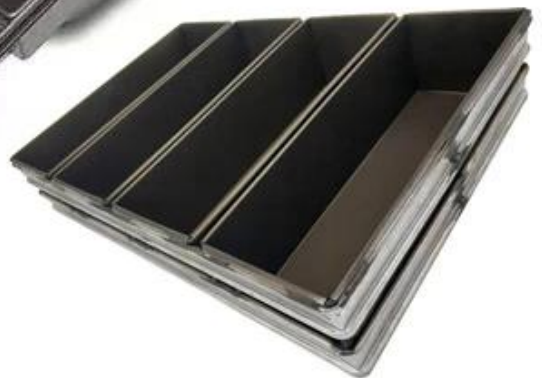
More Customized Strap Loaf Pans from Tsingbuy



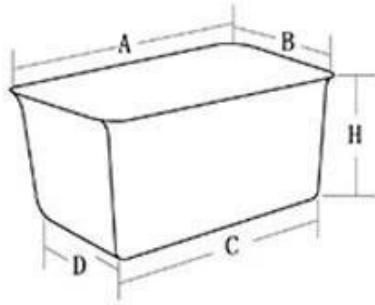




Customized shape
Customized size
Rack matched

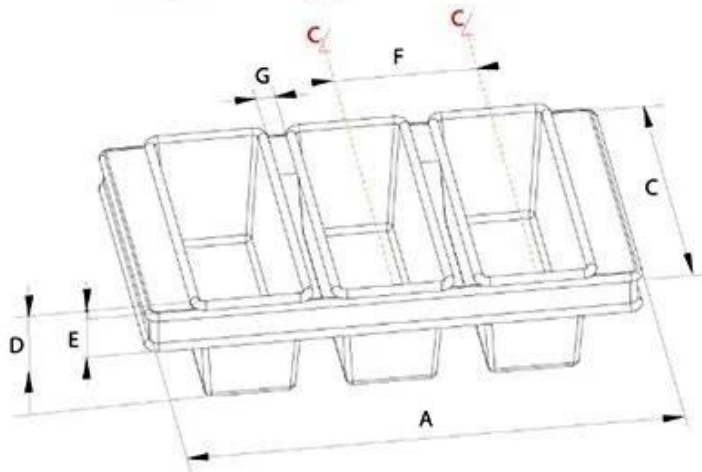


Customized Single Loaf Pan



- A. Top length of the item
- B. Top width of the item
- C. Bottom length of the item
- D. Bottom width of the item
- H. Height

Customized Strapped Loaf Pan Sets



- A. Overall Length
- C. Overall Width
- D. Depth
- E. Frame Height
- F. Center-to-center
- G. Pan Distance



Flat handle



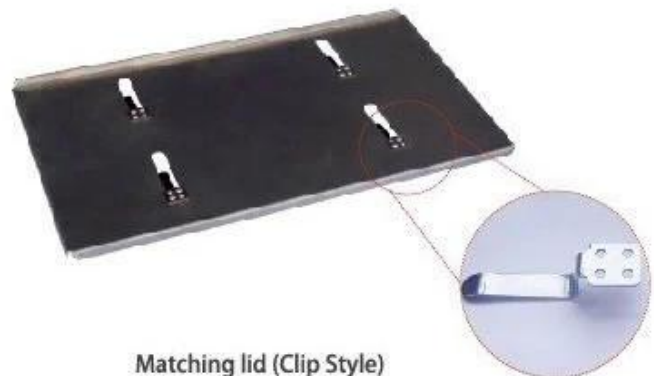
Frame handle



no handle



Matching lid (Drop Style)



Matching lid (Clip Style)

□□□□

Tsingbuy [www.tsingbuy.com](#) 专业生产各种铝压铸产品 ODM&OEM 承接各种铝压铸产品



Loaf Pan

Tsingbuy Industry Limited



