



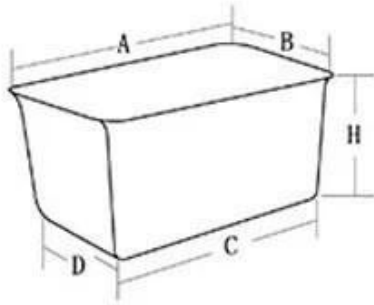


Tsingbuy

## More Customized Strap Loaf Pans from Tsingbuy

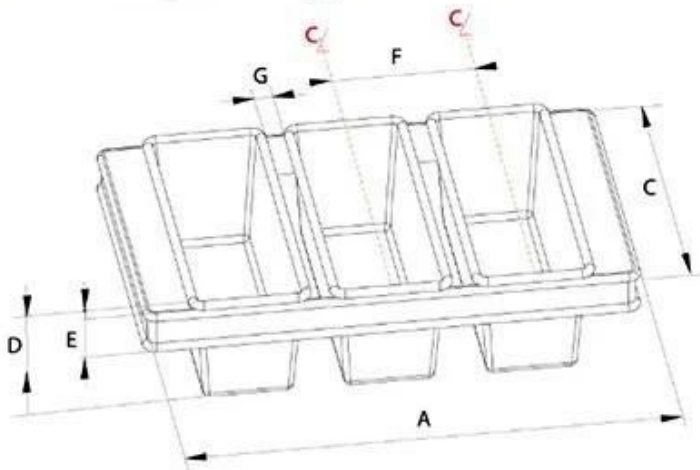


## Customized Single Loaf Pan



- A. Top length of the item
- B. Top width of the item
- C. Bottom length of the item
- D. Bottom width of the item
- H. Height

## Customized Strapped Loaf Pan Sets



- A. Overall Length
- C. Overall Width
- D. Depth
- E. Frame Height
- F. Center-to-center
- G. Pan Distance



Flat handle



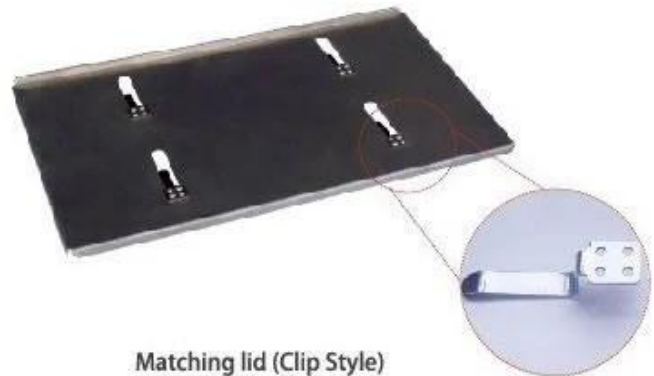
Frame handle



no handle



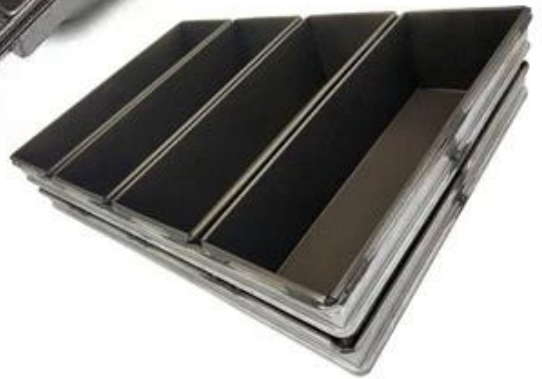
Matching lid (Drop Style)

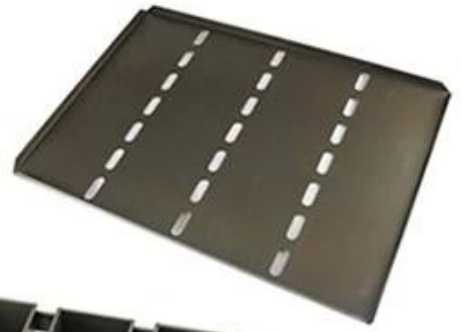


Matching lid (Clip Style)

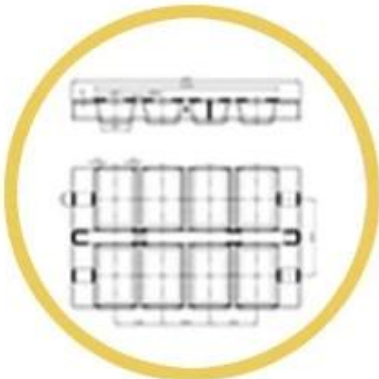


Customized shape  
Customized size  
Rack matched





# Procedures for custom made loaf baking pans



1. DRAWING



2. DESIGN



3. PRODUCT



6. SHIPPING



5. LOADING



4. PACKING



# Single Loaf Pan



natural surface



corrugated



full perforation



nonstick



corrugated



golden color



holes at bottom



full perforation



custom size









Tsingbuy

