

U shaped Aluminized Steel Toast Mould

Main features of U shaped Aluminized Steel Toast Mould

- Made of 1.2 thick aluminized steel for excellent heat conductivity and durability.
- High-qualified non-stick coating is food safe with certificate and can contact food directly, make it easy to demould and clean up
- Customized size is welcomed. Tsingbuy [alusteel loaf pan factory](#) has engaged in bakeware industry for over 12 years and is rich in experience of custom manufacturing.

Product images of U shaped Aluminized Steel Toast Mould





Other patterns of loaf pans for your information

Here are more types of loaf pans custom manufactured by Tsingbuy [alusteel bread baking pan supplier](#). If you are in the market for loaf baking pans, coming to us is a best choice.

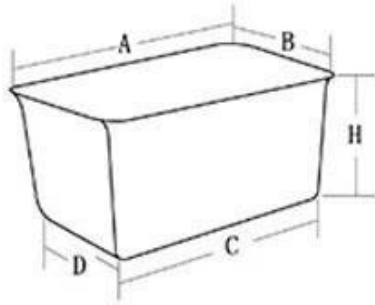
customized single loaf pan



More Customized Strap Loaf Pans from Tsingbuy

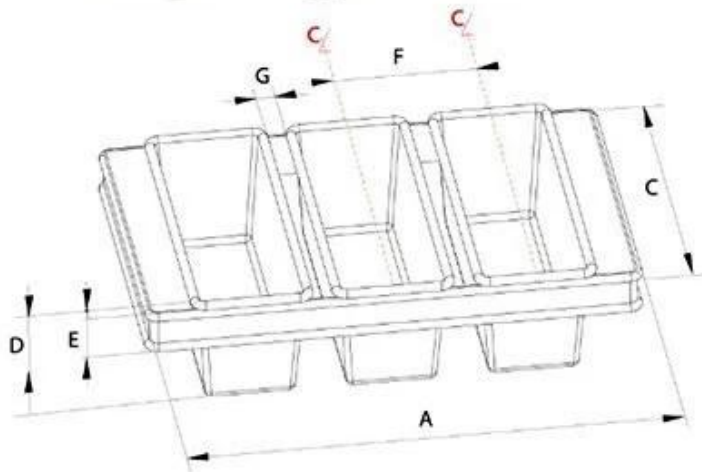


Customized Single Loaf Pan



- A.Top length of the item
- B.Top width of the item
- C.Bottom length of the item
- D.Bottom width of the item
- H.Height

Customized Strapped Loaf Pan Sets



- A.Overall Length
- C.Overall Width
- D.Depth
- E.Frame Height
- F.Center-to-center
- G.Pan Distance



Flat handle



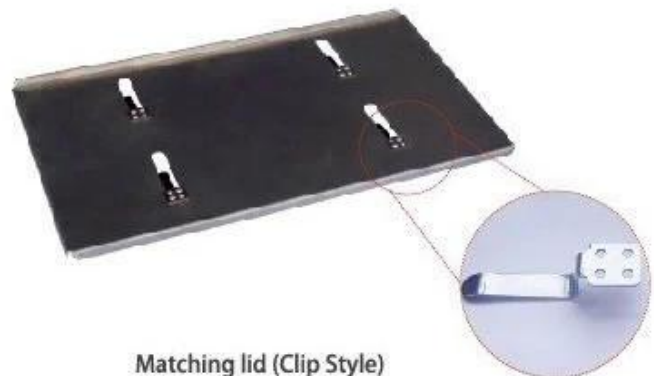
Frame handle



no handle



Matching lid (Drop Style)



Matching lid (Clip Style)

Loaf pan factory pictures

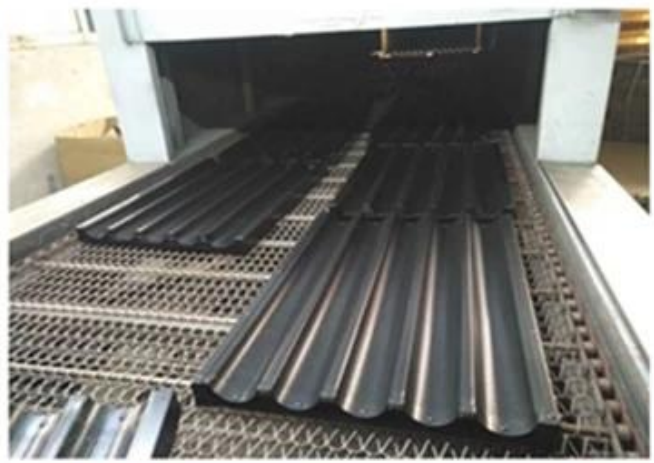
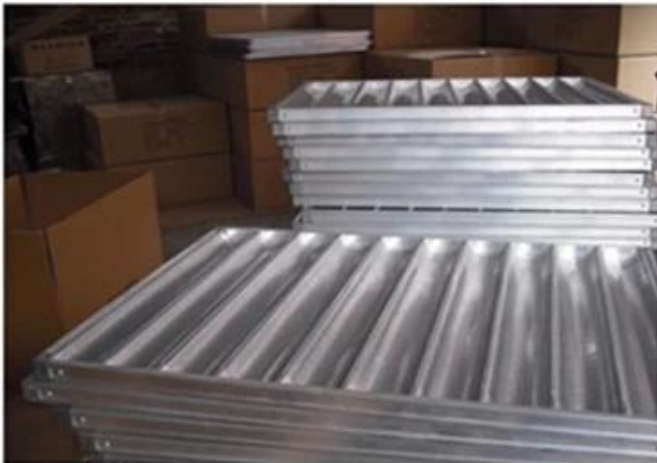
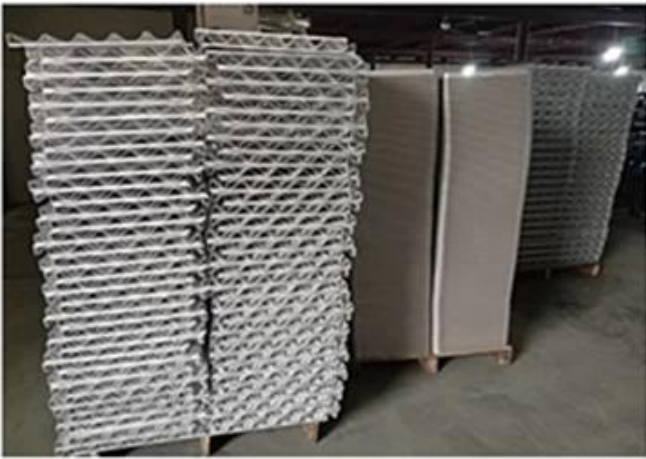


Loaf Pan

Tsingbuy Industry Limited







Contact us

 Zoe Lee	TSINGBUY INDUSTRY LIMITED FACTORY PLANET OEM & ODM - Bakeware and Customization	
 Tel	+86 186 1186 6087	+86 0755-85234769
 Email	marketing@tsingbuy.com	
 Skype	+86 186 1186 6087	
 Whatsapp	+86 186 1186 6087	
 Web	www.chinabakeware.com	
 ADD	2 Floor B1 Building, No 22 Dafu Industry park, Guanlan, Longhua District, Shenzhen, China 518110	

