

# 4/5/6/7/8/9/10 inches Anodized Aluminum Deep Round Cake Pan Bundt Cake Pan

Baking Mold with Detachable Hollow in Center Cakes Baking Tin

## Main features of 4/5/6/7/8/9/10 inches Anodized Aluminum Deep Round Cake Pan Baking Mold with Detachable Hollow in Center Cakes

- 1.0 thickened high quality aluminum alloy material, light material, fast heat conduction;
- High density, high temperature resistance, high hardness, firmness and no deformation,
- Anode treatment and smooth surface are more conducive to cake climbing;
- Deep straight edge design, clean and sanitary, long service life;

-Specifications

<b>Size</b>	<b><i>Deep round cake pan sizes with removable bottom (top diameter x bottom diameter x height)</i></b>	<b><i>Matched tube sizes (bottom diameter x height)</i></b>
4 inch	100x95x98mm	92x100mm
5 inch	127x122x100mm	120x110mm
6 inch	150x143x97mm	139x110mm
7 inch	177x168x99mm	165x100mm
8 inch	205x197x100mm	195x100mm
9 inch	226x217x100mm	215x110mm
10 inch	251x242x100mm	240x110mm

professional [aluminum bundt pan factory](#) Tsingbuy is supplying more types of bundt cake pan with different specifications. ODM&OEM service is available. Welcome to contact us at any time.

## Product pictures of 4/5/6/7/8/9/10 inch Anodized Aluminum Deep Round Cake Pan Bundt Cake Pan with Removable Bottom and Tube

# Deep Anodized Aluminum Round Cake Pan with hollow in center

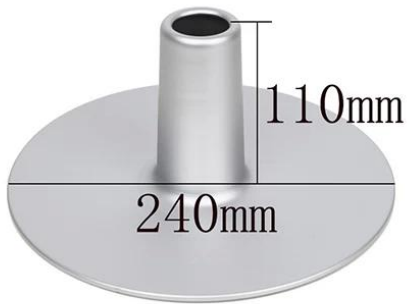


## Round Cake Mold Specification

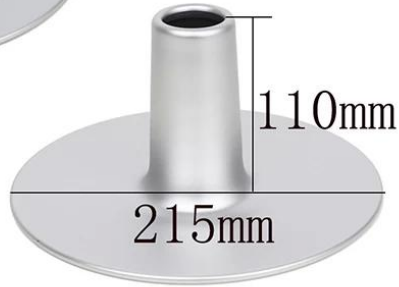




specification of hollow mold



10"



9"



8"



7"



6"



5"



4"

## Product Features

1.0mm high quality aluminum alloy  
high temperatures resistant up to 380°C







Rolled Edge design  
One piece forming,  
stable structure,  
smooth and  
no injury to hands

Anodizing treatment  
Effectively reduce  
oil adsorption,  
easy to clean,  
corrosion resistant







## Product Shots







## Contact us

 <b>Zoe Lee</b>	TSINGBUY INDUSTRY LIMITED FACTORY PLANET OEM & ODM - Bakeware and Customization	
 Tel	+86 186 1186 6087	+86 0755-85234769
 Email	marketing@tsingbuy.com	
 Skype	+86 186 1186 6087	
 Whatsapp	+86 186 1186 6087	
 Web	www.chinabakeware.com	
 ADD	2 Floor B1 Building, No 22 Dafu Industry park, Guanlan, Longhua District, Shenzhen, China 518110	