

Aluminium Alloy Corrugated Non Stick Pullman Loaf Pan Toast Bread Baking Tin Mould

Main features of

corrugated non stick toast baking tin mould pullman loaf pan with lid

1. made of 1.0mm thick aluminum alloy, durable for long service life.
2. food-safe and corrugated non-stick surface is not sticky, easy to demould, easy to clean
3. designed with cover, it is convenient to make American toast with flat sides. The corrugated surface makes it more convenient to demould.
4. The bottom hole is optional for better circulation of hot air and uniform heating.
5. Wire in rim design makes it more durable and not easy to deformation for long service life.
6. Multiple function for making sandwiches, toast, traditional loaf breads etc.
7. ODM & OEM is available in Tsingbuy professional [toast bread pan manufacturer](#).
8. Tsingbuy is a professional supplier which has proudly manufactured high quality baking trays, pullman loaf tins and provided custom bakeware for international market for over 12 years.



Product images

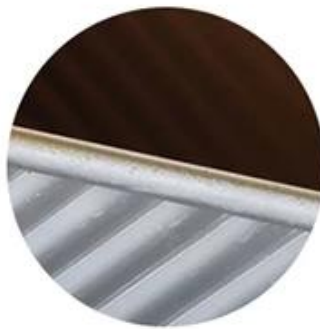
of corrugated non stick toast baking tin mould pullman loaf pan with lid

High Quality Nonstick Aluminum Loaf Pan



Product Specification

			
weight	length	width	height
300g	20cm	12cm	10.5cm
450g	22cm	12.5cm	11.5cm
600g	33.5cm	11cm	11cm
750g	34cm	12cm	12cm
900g	35cm	12cm	12.5cm
1000g	35cm	14cm	12.5cm
1200g	39.5cm	14cm	13cm



Baking Effect



loaf pan without lid



loaf pan with lid



loaf pan
with corrugated surface



loaf pan
with smooth surface















More types of bread & loaf pans for your information

Here are more designs for [pullman loaf pan wholesale](#).

Our Pullman loaf pans is designed with simple style, beautiful and practical with fast heat conduction, even heating, not easy to appear partial scorch.

Material optional: aluminum, aluminized steel, stainless steel

Perforation options: no perforation, bottom-perforated, all-perforated

Using scene: single loaf pan, strap loaf pan

Surface options: smooth, corrugated, no-coating, Teflon non-stick, silicone non-stick

Size: any size

Lid: with lid or not as your requirement.

customized single loaf pan





Teflon coating



Silicone coating



Material:

Aluminum alloy

Aluminized steel



Custom manufacturing of strap loaf pan is one of our biggest strength, welcome for more info. We have engaged in bakeware manufacturing for over 12 years and has been supplying thousands of bakeware for international customers. Using our baking pan, you can easily make all kinds of delicious food, Chiffon cakes, mousse cake, Pound cake, cheese cake, etc

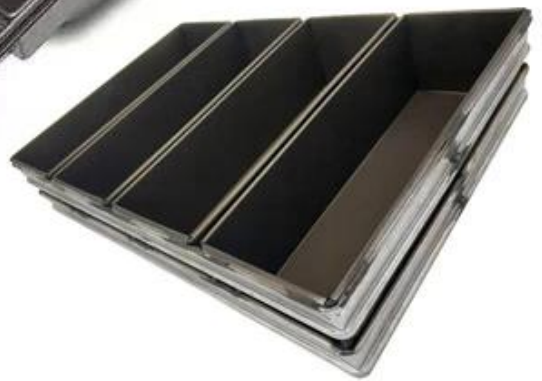
More Customized Strap Loaf Pans from Tsingbuy







Customized shape
Customized size
Rack matched

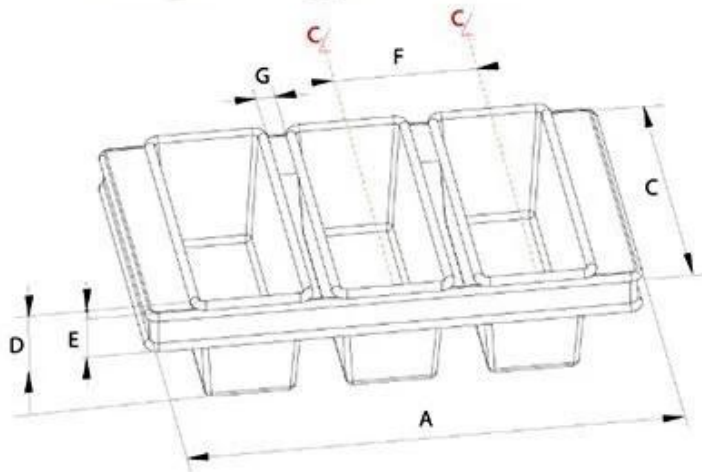


Customized Single Loaf Pan



- A.Top length of the item
- B.Top width of the item
- C.Bottom length of the item
- D.Bottom width of the item
- H.Height

Customized Strapped Loaf Pan Sets



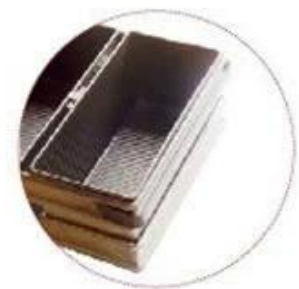
- A.Overall Length
- C.Overall Width
- D.Depth
- E.Frame Height
- F.Center-to-center
- G.Pan Distance



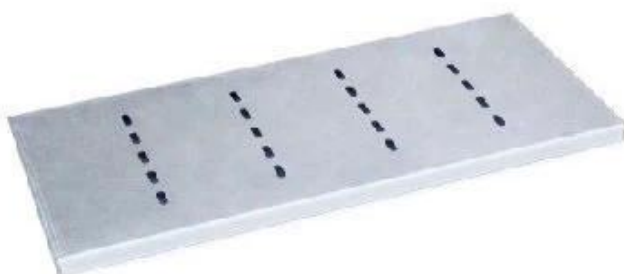
Flat handle



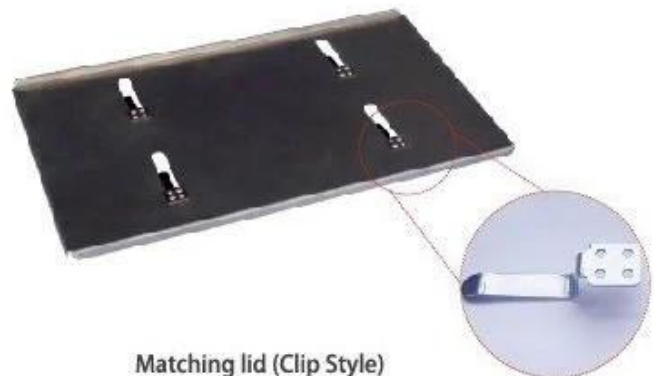
Frame handle



no handle



Matching lid (Drop Style)



Matching lid (Clip Style)

Workshop pictures of [non stick loaf pan factory](#)



Loaf Pan

Tsingbuy Industry Limited



