

Detachable Aluminum Metal Pizza Peel Pizza Shovel with Long Wood Handle

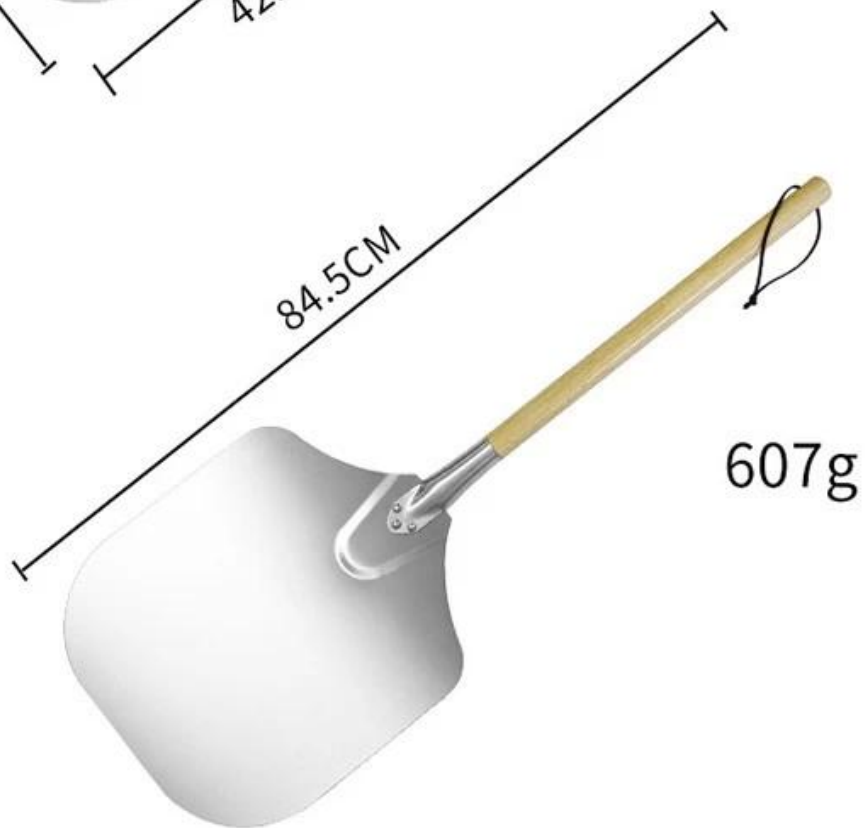
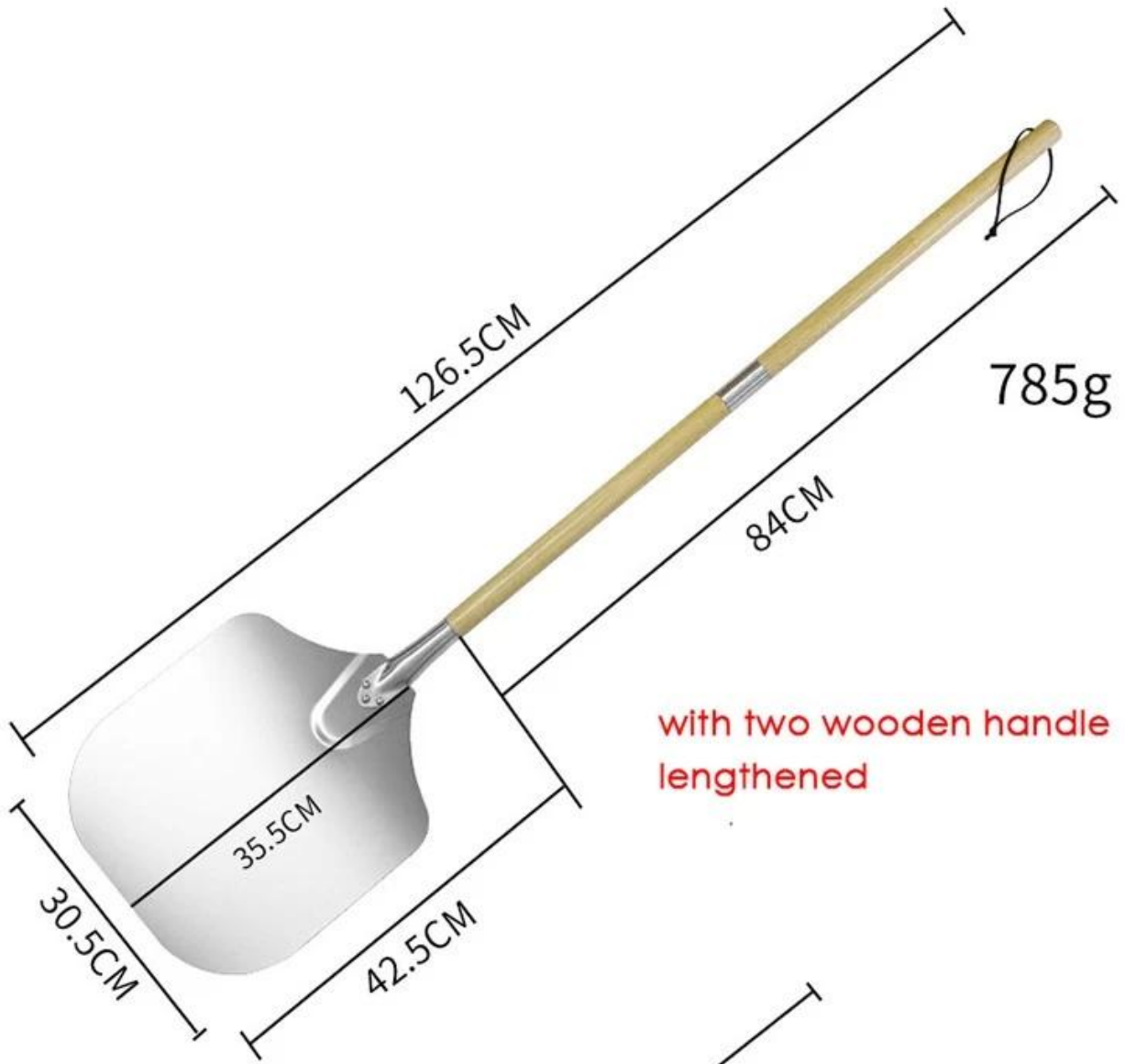
Main features of aluminum pizza peel pizza shovel with detachable wooden handle

- 12 inch high quality aluminum metal paddle with detachable wooden handle, simple to use and firm when assembled;
- Multiple sizes of the handle for choices, customized available;
- Large paddle for multiple functions like transferring pizza, pie pastry food, cake etc;
- Use rubber wood to make handles, effectively anti-sliding for stable grip;
- Directly supplied by Tsingbuy professional [metal pizza peel factory](#) with large production capacity and ODM&OEM service available.

Product images of detachable pizza shovel long handle pizza peel from Tsingbuy



















12"x14"



Detachable Wooden handle



Loosen to the left



Tighten to the right

Made in China



More types of pizza peel for your choices from Tsingbuy [pizza shovel manufacturer](#).



Factory Show

Production Machines



Automatic cutting machine



Automatic punching machine



Punching machine



Bending machine



Sand blasting machine



Drying machine

Our Advantages



Professional machine



Standard production flow



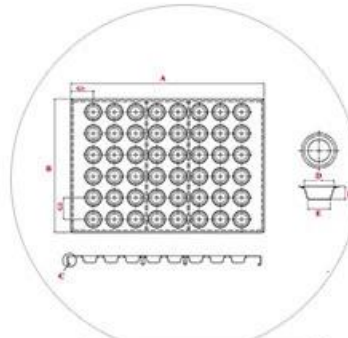
Experienced workers



Clean & tidy warehouse



Quick production fast dispatch



ODM & OEM service

Main products

Besides wholesale of detachable aluminum pizza oven peel, Tsingbuy bakeware mainly provides ODM&OEM service of commercial baking trays, such as aluminum baking sheet pan, baguette pan, multi-mould cupcake pans, bread loaf pans and so on, as well as bakery trolley used in oven for baking. Welcome to consult for any bakery supplies.

MAIN PRODUCT

● Industry cup tray



● Baguette tray



● Sheet pan



● Bakery Trolley



● Bread pan set

