

4/5/6/7/8/9/10/14 inches Aluminum Deep Round Cake Pan

Cake Baking Mold with Detachable Bottom for Easier Demoulding

**Main features of aluminum round deep cake baking pans**

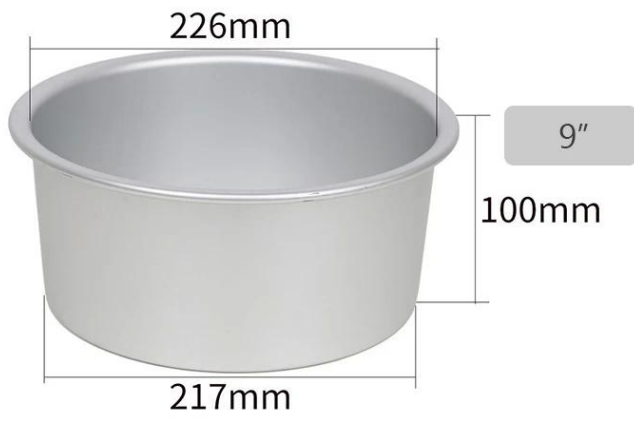
- 1.0 thickened 5052 high quality aluminum alloy material, light material, fast heat conduction;
- High density, high temperature resistance, high hardness, firmness and no deformation,
- Anode treatment and smooth surface are more conducive to cake climbing;
- Heightening design, clean and sanitary, long service life;

4" to 14" Anodized Aluminum  
Round Cake Pan  
with Removable Bottom



## Round Cake Mold Specification















## Contact us

 Zoe Lee	TSINGBUY INDUSTRY LIMITED FACTORY PLANET OEM & ODM - Bakeware and Customization	
 Tel	+86 186 1186 6087	+86 0755-85234769
 Email	marketing@tsingbuy.com	
 Skype	+86 186 1186 6087	
 Whatsapp	+86 186 1186 6087	
 Web	www.chinabakeware.com	
 ADD	2 Floor B1 Building, No 22 Dafu Industry park, Guanlan, Longhua District, Shenzhen, China 518110	