

4/5/6/7/8/9/10 inches Anodized Aluminum Deep Round Cake Pan

Baking Mold with Fixed Bottom

- Made of high quality aluminum alloy material, can be repeatedly baked at 280 °C
- The body of the cake mold will not soften and the bottom will not sag after long-term use, more durable, long service life.
- During production process, the cake pan are with the protective film, reducing the scratch as far as possible.
- professional [aluminum cake pan manufacturer](#) with 12+ years experience in manufacturing and exporting.

Anodized surface treatment characteristics:

1. Chemical resistance --- alkali and acid resistance
2. No oxidation --- clean, hygienic, non-toxic and long service life
3. Hygiene --- meet the requirements of food safety standards
4. High strength, 9-11 degree hardness, strong and durable
5. The material is light and its specific gravity is only 1 / 3 of that of iron
6. Fast heat transfer, saving baking time and cost





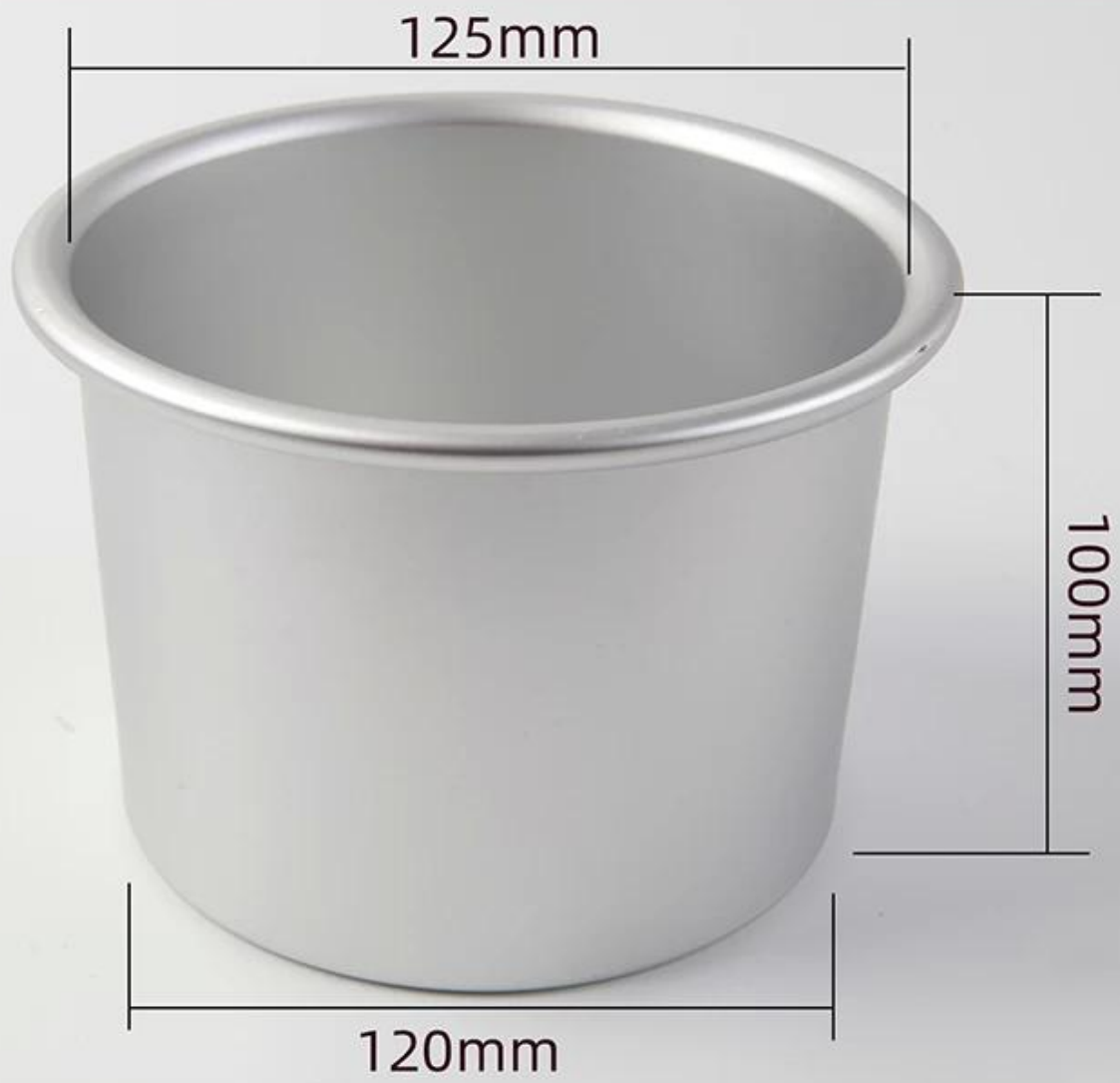


100mm

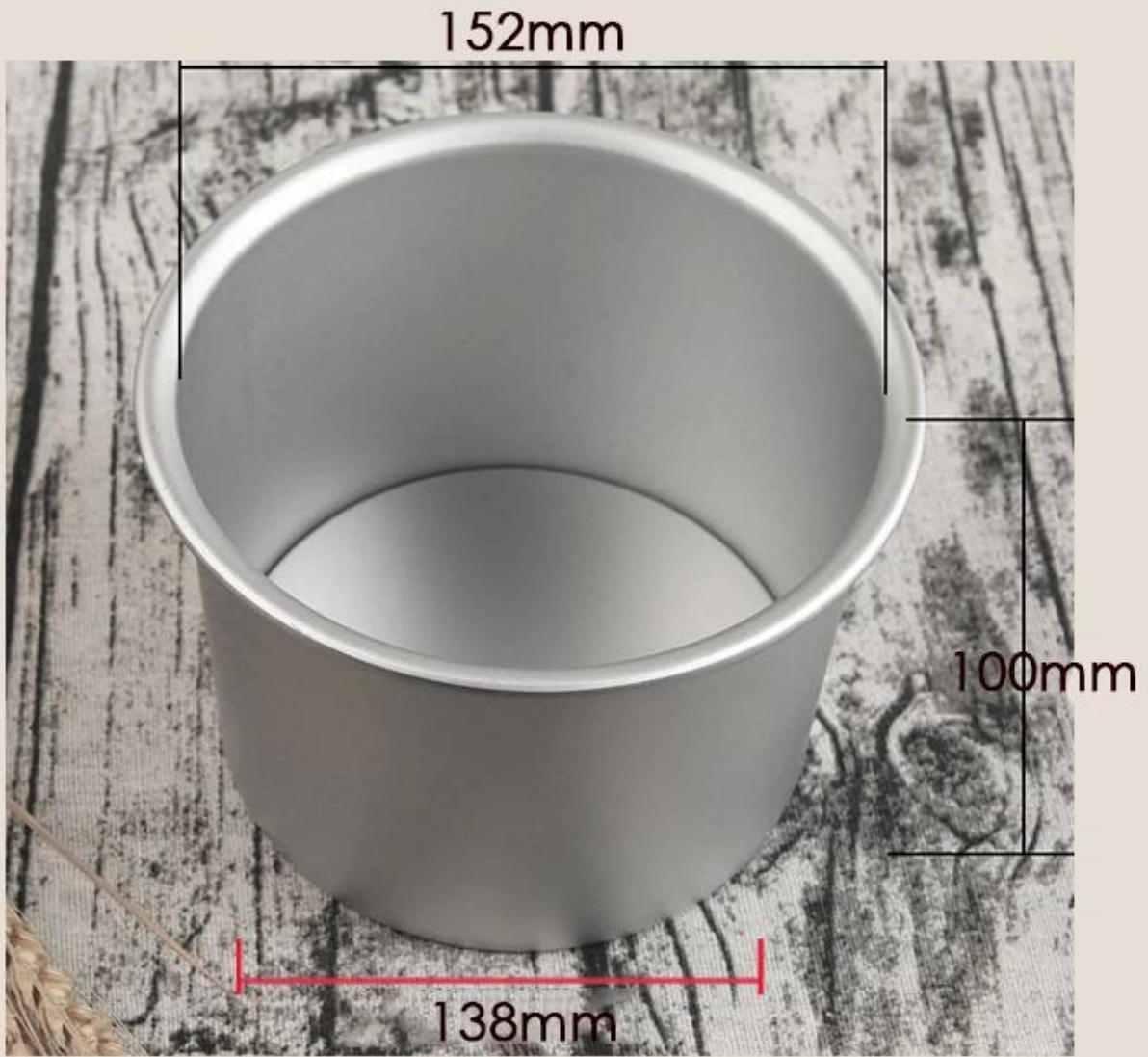
100mm

90mm

4" Deep Cake Pan
weight: 68g



5" Deep Cake Pan
weight: 88g



6" Deep Cake Pan
weight: 180g



7" Deep Cake Pan
weight: 230g



8" Deep Cake Pan
weight: 290g



9" Deep Cake Pan
weight: 330g



10" Deep Cake Pan
weight: 370g



Contact us

 Zoe Lee	TSINGBUY INDUSTRY LIMITED FACTORY PLANET OEM & ODM - Bakeware and Customization	
 Tel	+86 186 1186 6087	+86 0755-85234769
 Email	marketing@tsingbuy.com	
 Skype	+86 186 1186 6087	
 Whatsapp	+86 186 1186 6087	
 Web	www.chinabakeware.com	
 ADD	2 Floor B1 Building, No 22 Dafu Industry park, Guanlan, Longhua District, Shenzhen, China 518110	