

Anodized Aluminum Bundt Cake Pan Ring Shape Baking Mold with Detachable Hollow in Center Cakes Baking Tin

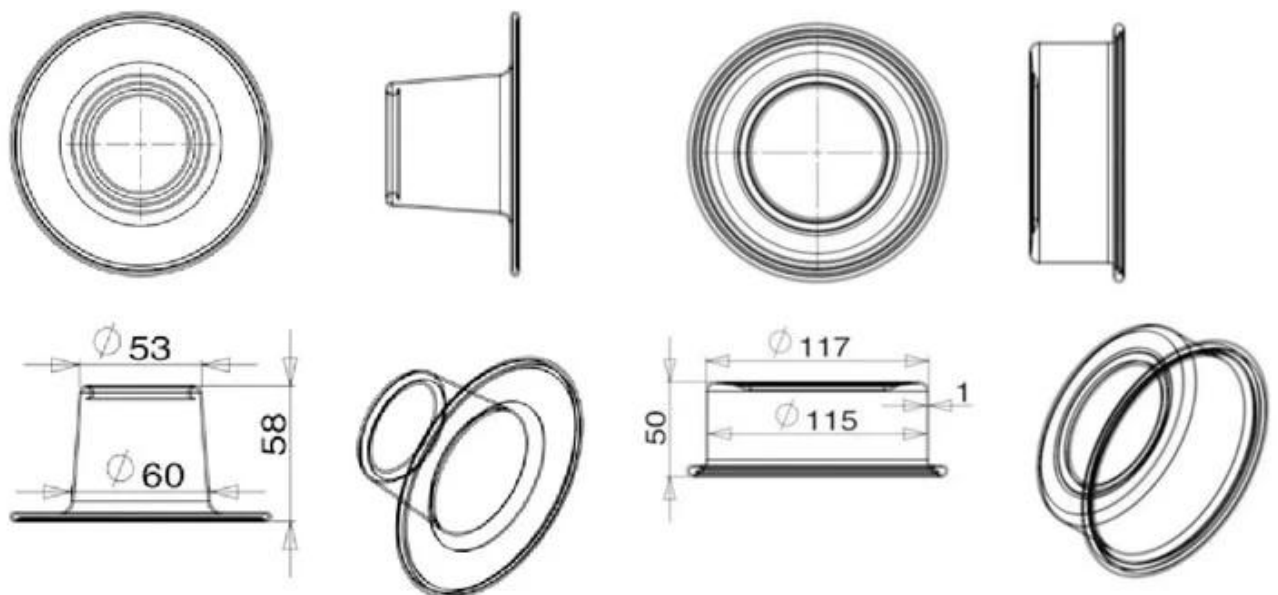
Main features of Anodized Aluminum Bundt Cake Pan Ring Shape Baking Mold with Detachable Hollow in Center Cakes Baking Tin

- 1.0 thickened high quality aluminum alloy material, light material, fast heat conduction;
- High density, high temperature resistance, high hardness, firmness and no deformation,
- Anode treatment and smooth surface are more conducive to cake climbing;
- Heightening design, clean and sanitary, long service life;

Bundt cake pan images



Custom Design Chart
— Tsingbuy bakeware manufacturer











Bundt cake pan in application





Click here to view factory videos: [baking pan manufacturer](#)

More [bundt cake pan wholesale](#) in multiple sizes.

