

# Factory Wholesale Aluminized Steel Pullman Loaf Pan Bread Baking Pan with Cover

## **Main features of aluminized steel loaf pan bread baking pan**

1. made of 1.0mm thick aluminized steel, high hardness, durable for long service life.
2. natural surface, PTFE non stick surface, silicone non stick surface are optional, easy to demould, easy to clean
3. dsigned with sliding-on-off cover, it is convenient to make American toast with flat sides.
4. The bottom hole is optional for better circulation of hot air and uniform heating.
5. Wire in rim design makes it more durable and not easy to deformation for long srvice life.
6. Multiple function for making sandwiches, toast, traditional loaf breads etc.
7. ODM & OEM is available in Tsingbuy professional [non stick loaf pan factory](#).
8. Tsingbuy is a professional supplier which has proudly manufactured high quality baking trays, pullman loaf tins and provided custom bakeware for international market for over 12 years.

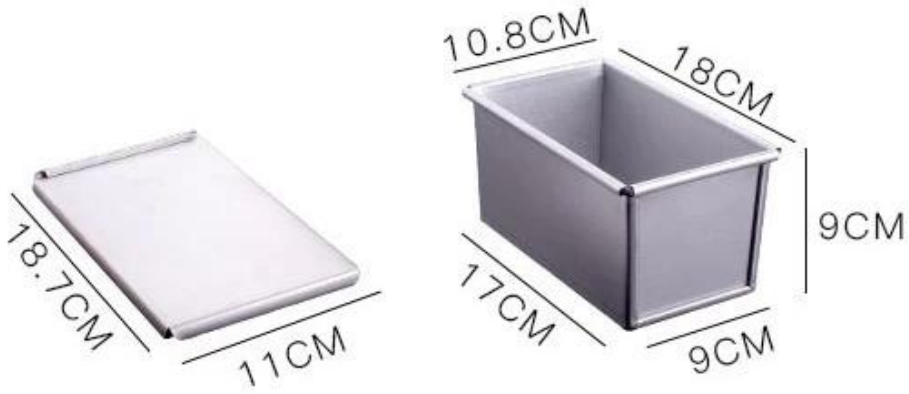
## **Product images**

**of 250/450/750/900/1000/1200g aluminized steel Pullman loaf pan bread baking pan with cover**

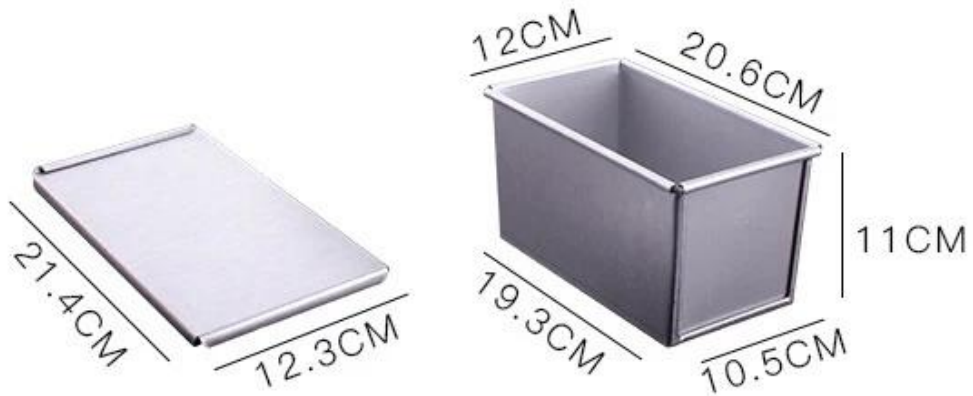


# Specifications

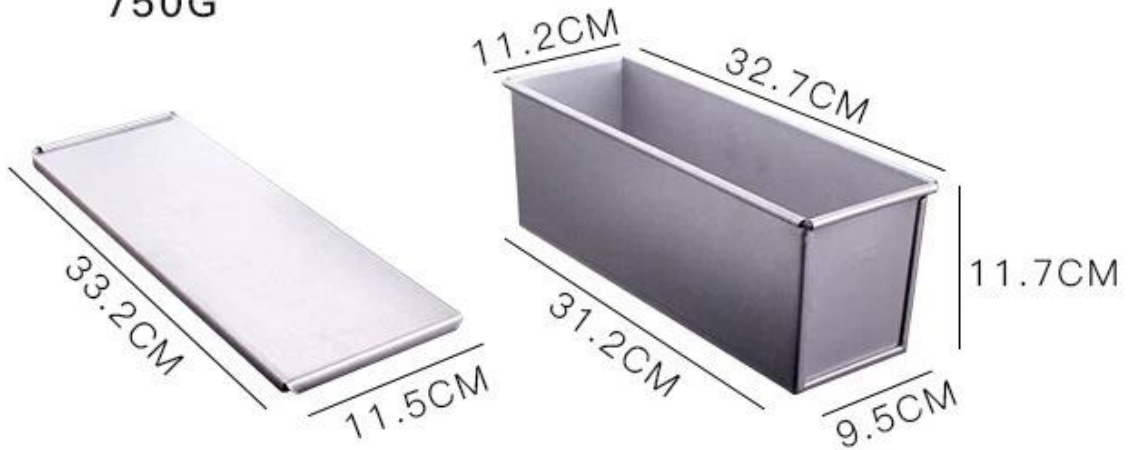
250G



450G



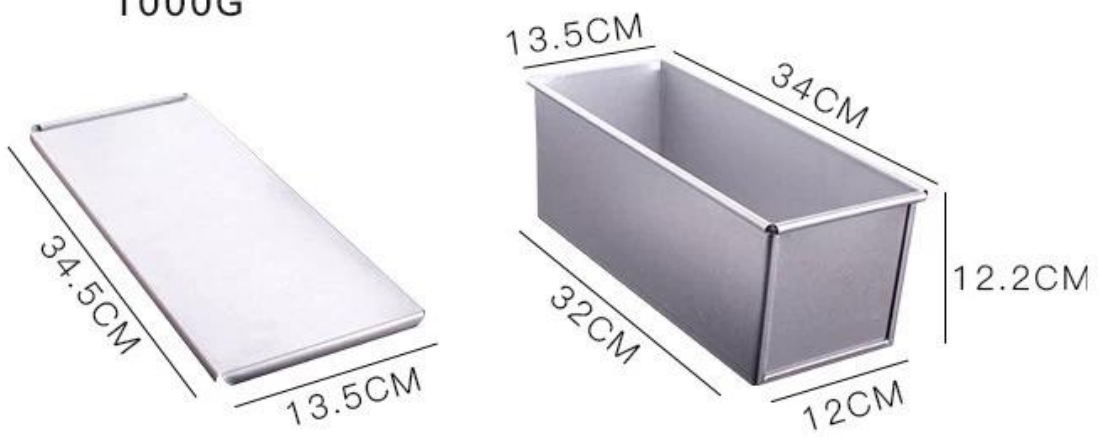
750G



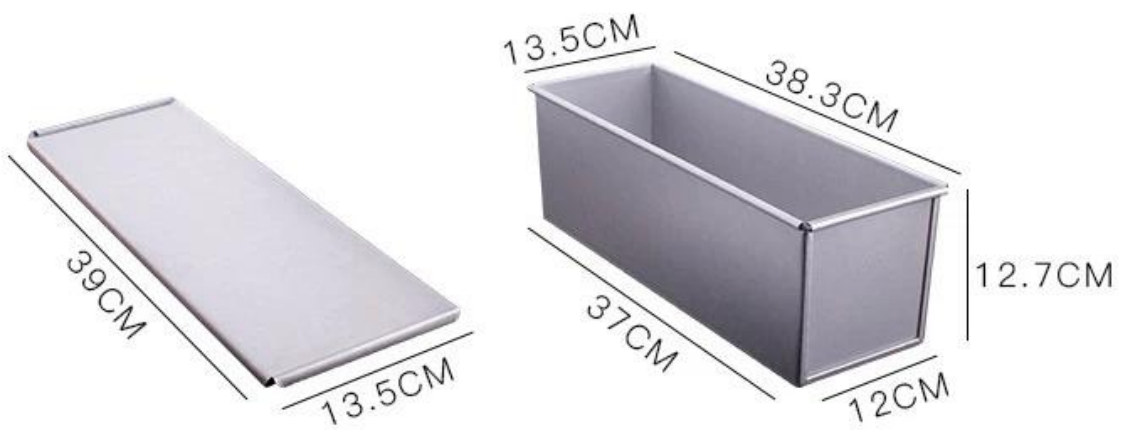
900G



1000G



1200G



## More types of bread & loaf pans for your information

Here are more types of [aluminized steel loaf pan](#) for your information.

Our Pullman loaf pans is designed with simple style, beautiful and practical with fast heat conduction, even heating, not easy to appear partial scorch.

Material optional: aluminum, aluminized steel, stainless steel

Perforation options: no perforation, bottom-perforated, all-perforated

Using scene: single loaf pan, strap loaf pan

Surface options: smooth, corrugated, no-coating, Teflon non-stick, silicone non-stick

Size: any size





Lid: with lid or not as your requirement.

















Tsingbuy bakeware manufacturer is well equipped with CNS, cutting, punching, molding machines and has technician team with 20 more years experience in bakeware industry. we have large production capacity to ensure both standard loaf pans and custom bread [loaf pan wholesale](#).

<b>Automatic Cutting Machine</b>	<b>Automatic Punching Machine</b>	<b>Punching Machine</b>
		
<b>Bending Machine</b>	<b>Sand Blasting Machine</b>	<b>Drying Machine</b>
		

No.	Production Process	No.	Production Process	No.	Production Process
1	 Cutting	2	 Automatic Punching	3	 Punching
4	 Bending	5	 Welding	6	 Polishing
7	 Sand Blasting	8	 Cleaning	9	 Spraying
10	 Drying				





## Loaf Pan

Tsingbuy Industry Limited

