

Custom Made Commercial Grade Aluminized Steel Non Stick Sandwich Loaf Tin Toast Bread Baking Tin Mold Bakery Bread Baking Pans

Main features of aluminized steel non stick sandwich loaf tin toast bread baking tin mold

1. The bread loaf pan is made of commercial grade Aluminum coated steel. The curling edge with metal wire design can improve the durability and give it long service life.
2. The commercial grade non stick bread loaf pan with excellent heat conduction can bake bread in less time and keep bread more soft.
3. The bread loaf pan with a lid can make a beautiful toast and slices of sandwich bread at home.
4. Custom size: Tsingbuy [sandwich loaf tin factory](#) provides multiple standard sizes for choices, and custom size are also welcomed.
5. Generally speaking, there are holes at the bottom of bread loaf pan for good air circulation, improving the performance of the loaf bread baking. The pan is designed without holes for special recipe requirements. It can also be used as rectangle cake pan.

Product images of aluminized steel non stick sandwich loaf tin toast bread baking tin mold

















Loaf Pans in Application





More types of bread & loaf pans for your information

Here are more [custom baking pan wholesale](#) for loaf bread toast baking.

Our pullman loaf pans is designed with simple style, beautiful and practical with fast heat conduction, even heating, not easy to appear partial scorch.

Material optional: aluminum, aluminized steel, stainless steel

Perforation options: no perforation, bottom-perforated, all-perforated

Using scene: single loaf pan, strap loaf pan

Surface options: smooth, corrugated, no-coating, Teflon non-stick, silicone non-stick

Size: any size

Lid: with lid or not as your requirement.

customized single loaf pan





Material:

Aluminum alloy

Aluminized steel

Custom manufacturing of strap loaf pan is one of our biggest strength, welcome for more info. Tsingbuy [bread tin supplier](#) has been engaged in bakeware manufacturing for over 12 years and has been supplying thousands of bakeware for international customers. Using our baking pan, you can easily make all kinds of delicious food, Chiffon cakes, mousse cake, Pound cake, cheese cake, etc

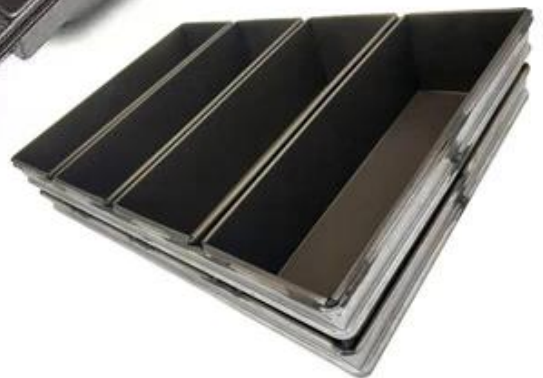
More Customized Strap Loaf Pans from Tsingbuy



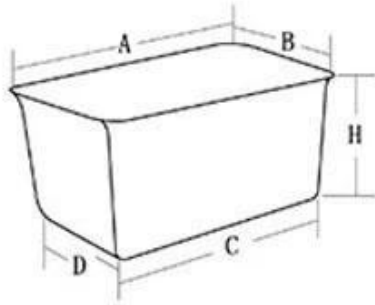




Customized shape
Customized size
Rack matched

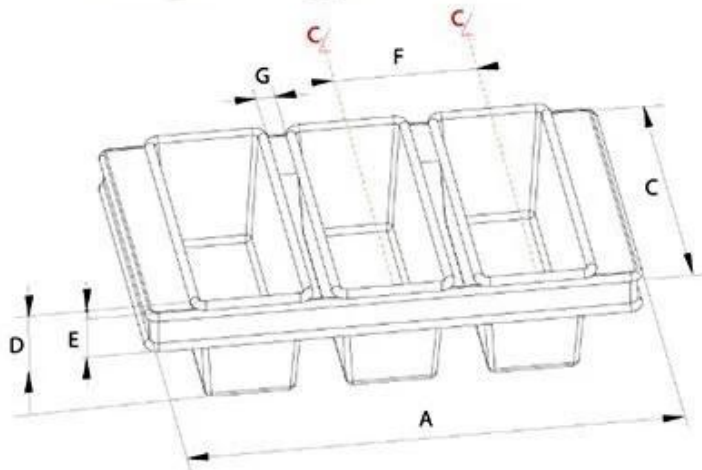


Customized Single Loaf Pan



- A.Top length of the item
- B.Top width of the item
- C.Bottom length of the item
- D.Bottom width of the item
- H.Height

Customized Strapped Loaf Pan Sets



- A.Overall Length
- C.Overall Width
- D.Depth
- E.Frame Height
- F.Center-to-center
- G.Pan Distance



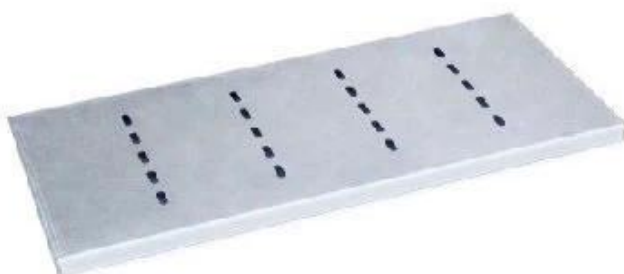
Flat handle



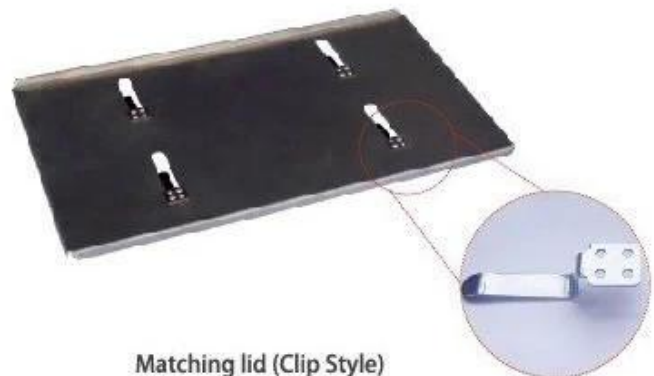
Frame handle



no handle



Matching lid (Drop Style)



Matching lid (Clip Style)

Tsingbuy loaf & bread pan factory pictures



Loaf Pan

Tsingbuy Industry Limited

