

Professional Commercial Anodized Aluminum Toast Bread Loaf Pan Sandwich Bread Baking Tin Mold with Round/Heart-shaped Hollow in Center

Main features of aluminum sandwich bread mold toast loaf baking pan with hollow in center

Premium Craftsmanship

Crafted from high-quality 1.0 anodized aluminum, this bread loaf pan is built to last. Its robust construction ensures even heat distribution for perfectly baked loaves every time.

Innovative Hollow Design

Unleash your culinary creativity with the detachable hollow center, specifically engineered for crafting delightful sandwich loaf bread. Effortlessly create a space for your favorite fillings, transforming your bread into a scrumptious sandwich.

Shape Your Imagination

The hollow center comes in two enchanting options – round or heart-shaped. Elevate your bread-making artistry by incorporating jams, spreads, or even a surprise filling, resulting in visually appealing and delectable treats.

Versatility at its Best

Whether you're a home baker, a professional chef, or a bakery owner, this bread loaf pan is your trusted companion. Perfect for crafting delectable loaves in the comfort of your kitchen or meeting the demands of a bustling bakery or restaurant.

Unmatched Expertise

Proudly presenting Tsingbuy [professional loaf tin supplier](#), a distinguished name in commercial-grade bakeware manufacturing with over 15 years of industry expertise. Experience professional ODM and OEM services that cater to your unique baking equipment needs, ensuring your culinary creations shine.

Product Pictures of aluminum sandwich bread mold toast loaf baking pan with hollow in center



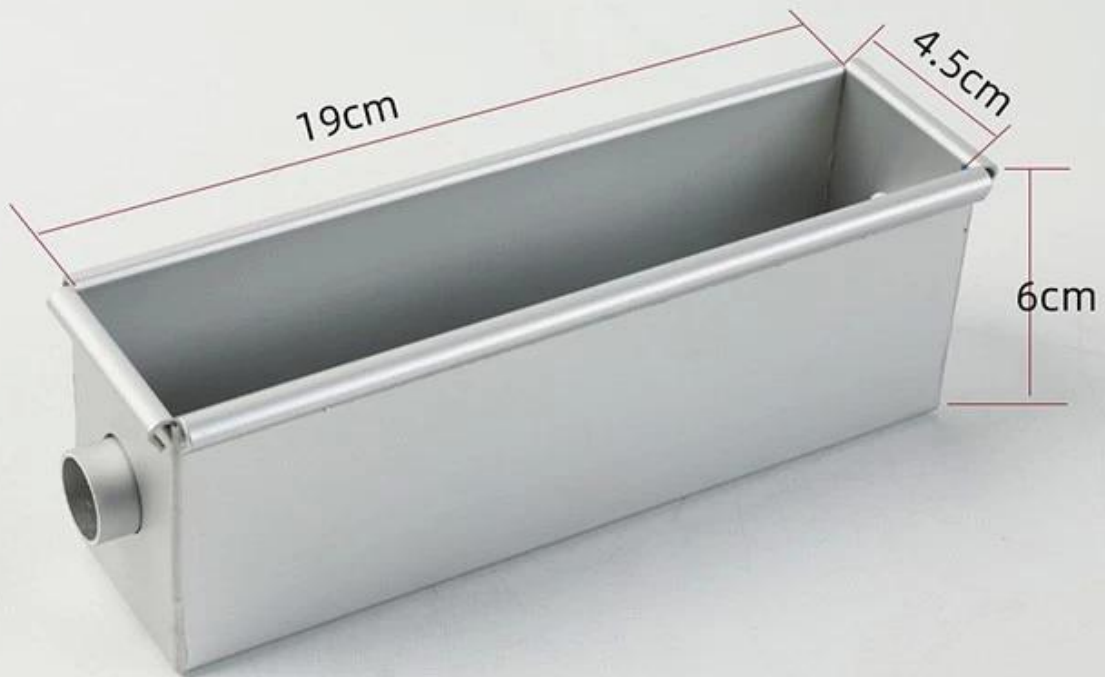


250g Bread Loaf Pan

1.2mm thick aluminum

**Heart Shaped
Hollow in Middle**





100g Loaf Bread Mold

1.2mm thick aluminum alloy

Heart shaped
hollow in middle







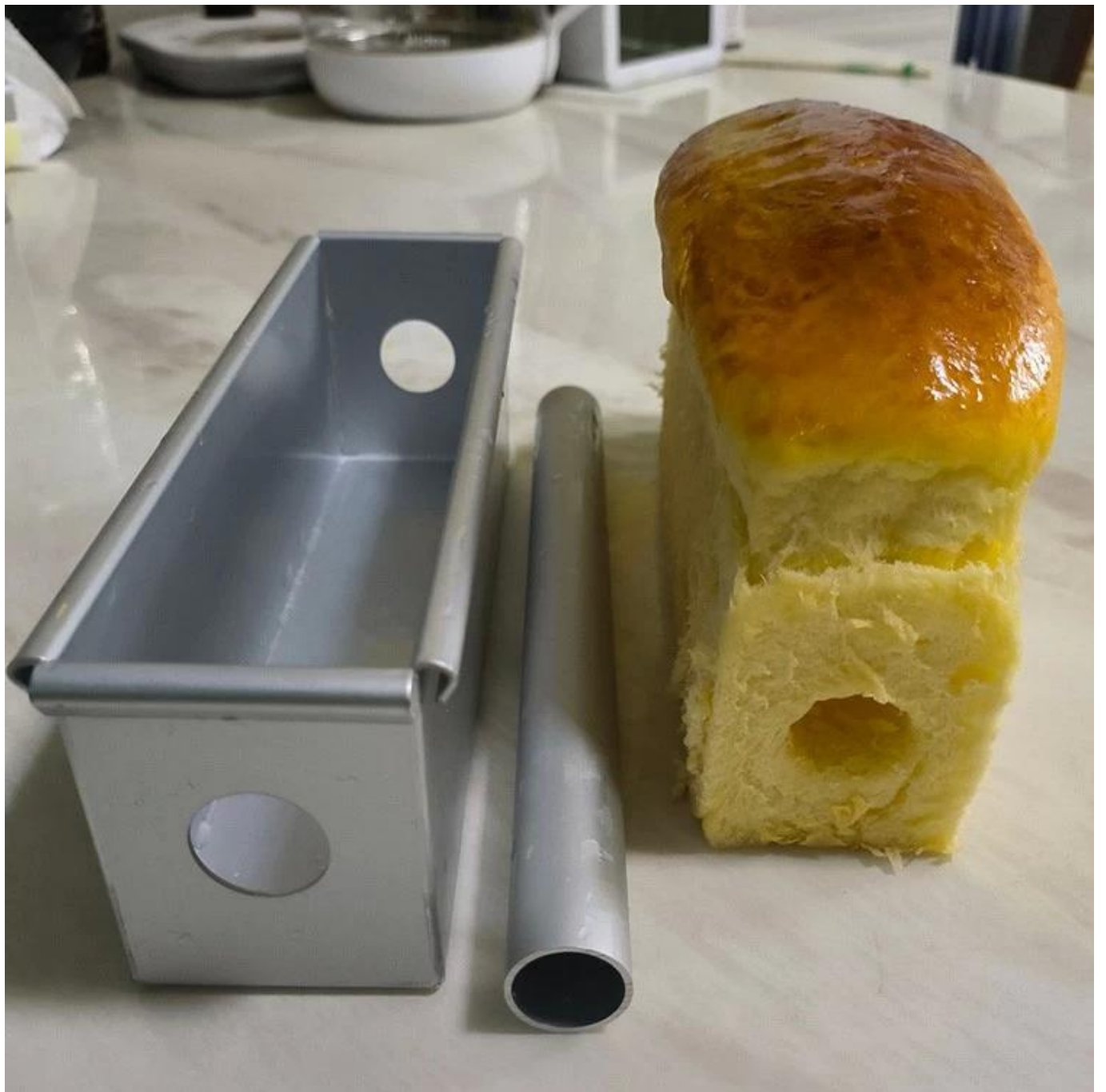














More Hot Selling Loaf Pan Models Recommended

More mini cube pullman loaf pan square shape bread baking pans from Tsingbuy [bread molds factory](#). As following pictures:

Material options: aluminium alloy, aluminized steel, stainless steel, carbon steel

Size options: 250/450/500/750/900/1000/1200g and any custom size

Surface options: natural surface, PTFE non stick surface, silicone surface, corrugated surface, perforated surface etc

ODM&OEM service is our biggest strength.





Regular Specification of Single Loaf Bread Baking Pan

| Model | Dough Weight | Size | | Weight | Thickness |
|---------|--------------|------------|------------|--------|-----------|
| | | Upper | Bottom | | |
| TSTP036 | 250g | 164x94 mm | 158x87 mm | 77 mm | 1.0 mm |
| TSTP037 | 300g | 175x100 mm | 173x98 mm | 100 mm | 1.0 mm |
| TSTP038 | 385g | 217x94 mm | 211x88 mm | 77 mm | 1.0 mm |
| TSTP039 | 450g | 197x106 mm | 186x101 mm | 110 mm | 1.0 mm |
| TSTP040 | 600g | 309x91 mm | 300x84 mm | 107 mm | 1.0 mm |
| TSTP041 | 750g | 316x100 mm | 305x93 mm | 116 mm | 1.0 mm |
| TSTP042 | 900g | 327x106 mm | 316x100 mm | 122 mm | 1.0 mm |
| TSTP043 | 1000g | 327x121 mm | 312x119 mm | 120 mm | 1.0 mm |
| TSTP044 | 1200g | 370x120 mm | 361x116 mm | 125 mm | 1.0 mm |
| TSTP045 | 1500g | 450x123 mm | 447x120 mm | 130 mm | 1.0 mm |



Factory Show

Tsingbuy commercial bakeware factory is well equipped with CNC machines, punching ,cutting, moulding machines, our annual production ability has been over 150million US-dollars. More,With professional and experienced technician teams, we have been offering super OEM&ODM services to so many bread factories to fit their machines and different receipts requirements. All our raw material and coating are comply with food safety regulations and our products come with ISO9001□LFGB certificate. From raw material to finished products□we have strict quality control system in every process to make sure every pans in good condition.

Besides [bread loaf pan wholesale](#), we also provides ODM&OEM service of baking sheet pan, aluminum tray, baguette pan, french bread tray, multi-mould cupcake pan, muffin pan, cake pan, bakery trolley, cooling rack etc. Welcome to consult us at any time.

Production Machines



Automatic cutting machine



Automatic punching machine



Punching machine



Bending machine



Sand blasting machine



Drying machine

Our Advantages



Professional machine



Standard production flow



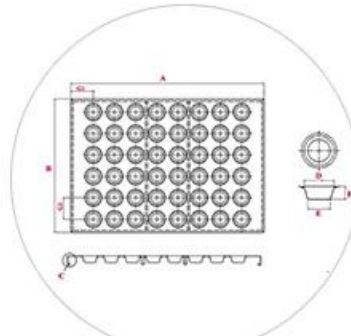
Experienced workers



Clean & tidy warehouse



Quick production fast dispatch



ODM & OEM service









