

歡迎各界人士垂詢

歡迎 600/750/850/900/1000/1200/1500

歡迎各界人士垂詢

歡迎各界人士垂詢

歡迎各界人士垂詢

1. 歡迎各界人士垂詢
2. 歡迎各界人士垂詢
3. 歡迎各界人士垂詢
4. 歡迎各界人士垂詢
5. 歡迎各界人士垂詢
6. 歡迎各界人士垂詢
7. ODM & OEM 歡迎各界人士垂詢 [Tsingbuy](#)
8. Tsingbuy 歡迎各界人士垂詢

歡迎各界人士垂詢







600g non stick loaf pan



750g non stick loaf pan



850g non stick loaf pan



900g non stick loaf pan



1000g non stick loaf pan



1200g non stick loaf pan



1500g non stick loaf pan



Our products are made of high quality materials and are designed to be durable and long-lasting.

[Our products are made of high quality materials and are designed to be durable and long-lasting.](#)

Our products are made of high quality materials and are designed to be durable and long-lasting. Our products are made of high quality materials and are designed to be durable and long-lasting.

Our products are made of high quality materials and are designed to be durable and long-lasting. Our products are made of high quality materials and are designed to be durable and long-lasting.

Our products are made of high quality materials and are designed to be durable and long-lasting. Our products are made of high quality materials and are designed to be durable and long-lasting.

Our products are made of high quality materials and are designed to be durable and long-lasting. Our products are made of high quality materials and are designed to be durable and long-lasting.

Our products are made of high quality materials and are designed to be durable and long-lasting. Our products are made of high quality materials and are designed to be durable and long-lasting.

Our products are made of high quality materials and are designed to be durable and long-lasting. Our products are made of high quality materials and are designed to be durable and long-lasting.

Our products are made of high quality materials and are designed to be durable and long-lasting. Our products are made of high quality materials and are designed to be durable and long-lasting.

customized single loaf pan





Teflon coating



Silicone coating



Material:

Aluminum alloy

Aluminized steel

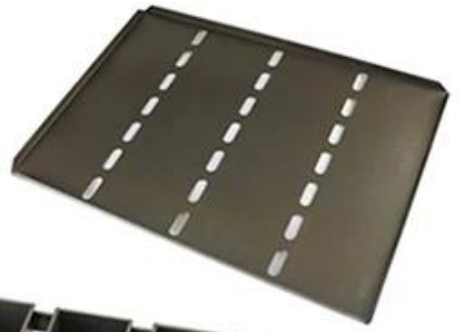


Aluminum alloy trays are used for food storage and are known for their durability and resistance to corrosion.

Aluminized steel trays are used for food storage and are known for their durability and resistance to corrosion. They are also resistant to rust and are easy to clean. The trays are made of aluminum alloy and are available in various sizes and colors. The trays are made of aluminum alloy and are available in various sizes and colors. The trays are made of aluminum alloy and are available in various sizes and colors.

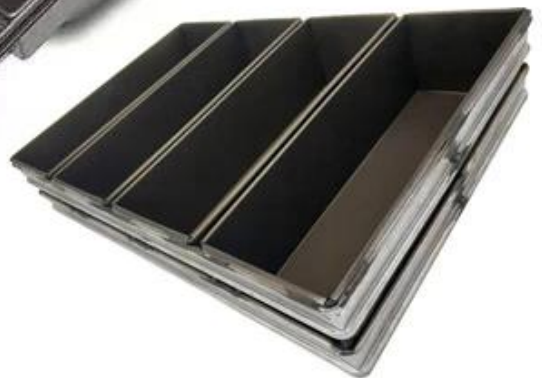
More Customized Strap Loaf Pans from Tsingbuy



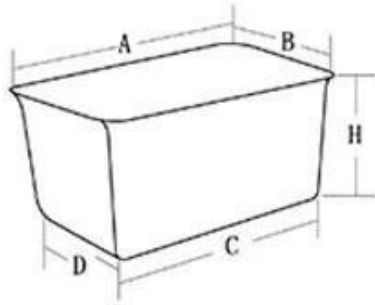




Customized shape
Customized size
Rack matched

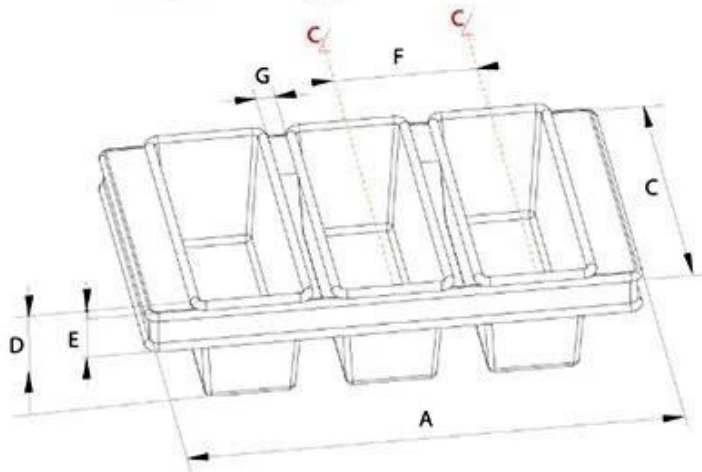


Customized Single Loaf Pan



- A. Top length of the item
- B. Top width of the item
- C. Bottom length of the item
- D. Bottom width of the item
- H. Height

Customized Strapped Loaf Pan Sets



- A. Overall Length
- C. Overall Width
- D. Depth
- E. Frame Height
- F. Center-to-center
- G. Pan Distance



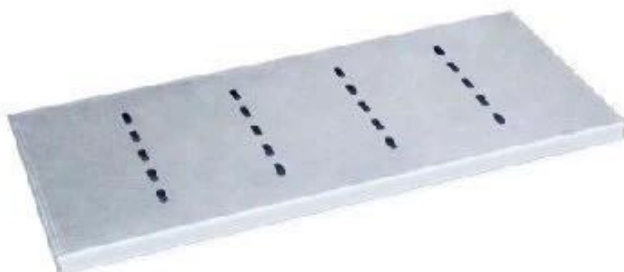
Flat handle



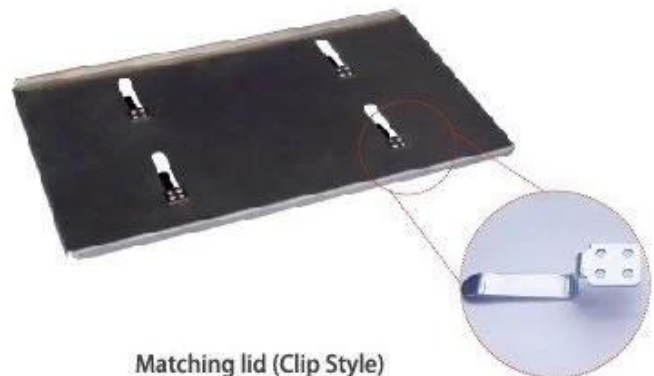
Frame handle



no handle



Matching lid (Drop Style)



Matching lid (Clip Style)

天仕迈 工厂

Tsingbuy 工厂位于中国广东省佛山市南海区，是一家专业的铝压铸工厂。我们拥有先进的压铸设备和熟练的技术工人，能够为客户提供高质量的铝压铸产品。我们的工厂通过了 ISO9001 质量管理体系认证，确保产品的质量和交货时间。我们提供 ODM 和 OEM 服务，能够满足客户的各种需求。我们的工厂占地面积约 10000 平方米，拥有 100 多名员工。我们欢迎各界人士前来参观和指导。



Loaf Pan

Tsingbuy Industry Limited



