

900g Aluminum Bread Baking Pan

top size 390x185x58mm
bottom size 365x160mm



Non Stick Bread Baking Pan

1.0mm thick aluminum

top size 390x185x58mm

bottom size 365x160mm



Natural Surface Bread Baking Pan

1.0mm thick aluminum

top size 390x185x58mm

bottom size 365x160mm











Our products are made of high quality materials and are designed to be durable and easy to use.

We offer a wide range of products to meet your needs.

Our products are made of high quality materials and are designed to be durable and easy to use. We offer a wide range of products to meet your needs.

We offer a wide range of products to meet your needs.

We offer a wide range of products to meet your needs.

We offer a wide range of products to meet your needs.

We offer a wide range of products to meet your needs.

We offer a wide range of products to meet your needs.

We offer a wide range of products to meet your needs.

customized single loaf pan





Teflon coating



Silicone coating



Material:

Aluminum alloy

Aluminized steel

Aluminum alloy baking pans are made from high-quality aluminum alloy, which is known for its durability and resistance to corrosion. They are often used for baking breads, cakes, and other baked goods. The aluminum alloy is typically coated with a non-stick material, such as Teflon or silicone, to prevent the food from sticking to the pan.

Aluminized steel baking pans are made from steel that has been coated with a thin layer of aluminum. This coating provides the pan with the same durability and corrosion resistance as aluminum alloy. Aluminized steel pans are also often coated with a non-stick material. They are commonly used for baking breads, cakes, and other baked goods.

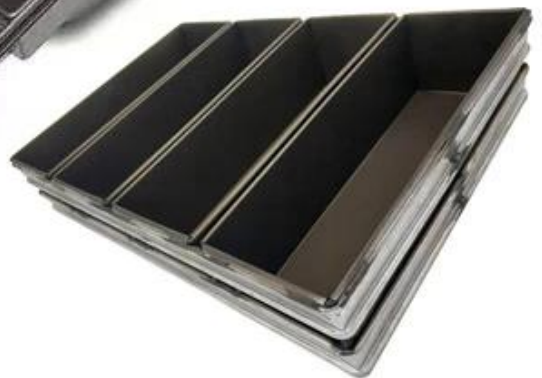
More Customized Strap Loaf Pans from Tsingbuy



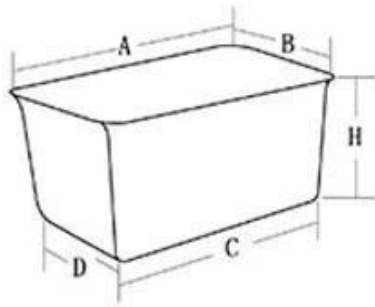




Customized shape
Customized size
Rack matched

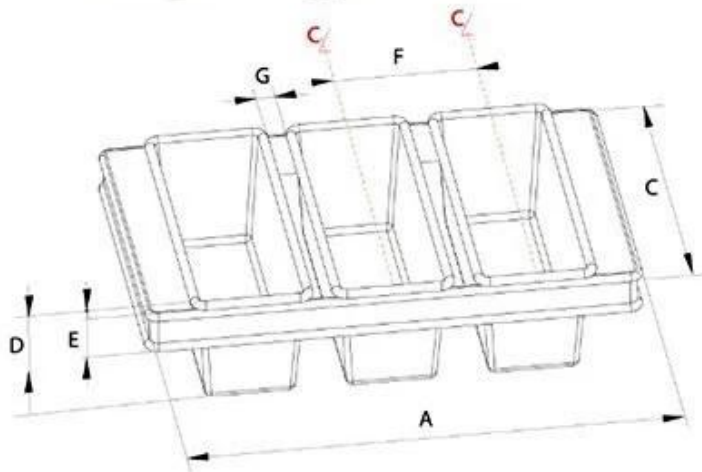


Customized Single Loaf Pan



- A. Top length of the item
- B. Top width of the item
- C. Bottom length of the item
- D. Bottom width of the item
- H. Height

Customized Strapped Loaf Pan Sets



- A. Overall Length
- C. Overall Width
- D. Depth
- E. Frame Height
- F. Center-to-center
- G. Pan Distance



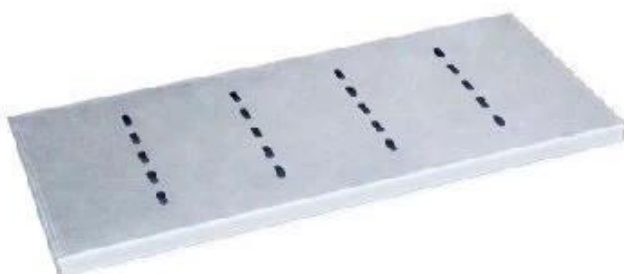
Flat handle



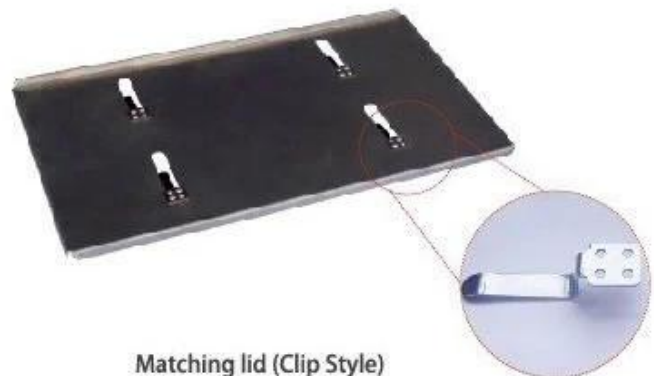
Frame handle



no handle



Matching lid (Drop Style)



Matching lid (Clip Style)

天仕迈 工厂

Tsingbuy 工厂拥有先进的生产设备，专业的技术人员，完善的售后服务体系。我们提供 ODM 及 OEM 服务，承接各种金属加工业务。工厂环境整洁，管理规范，产品质量稳定可靠。我们致力于为客户提供高品质的产品和服务。



Loaf Pan

Tsingbuy Industry Limited



